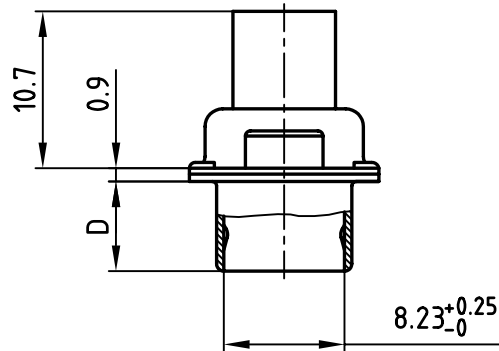
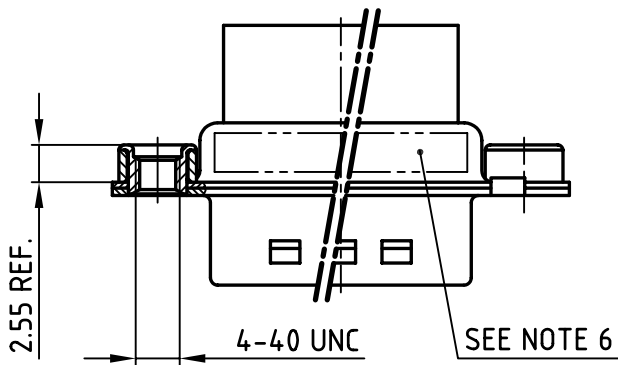
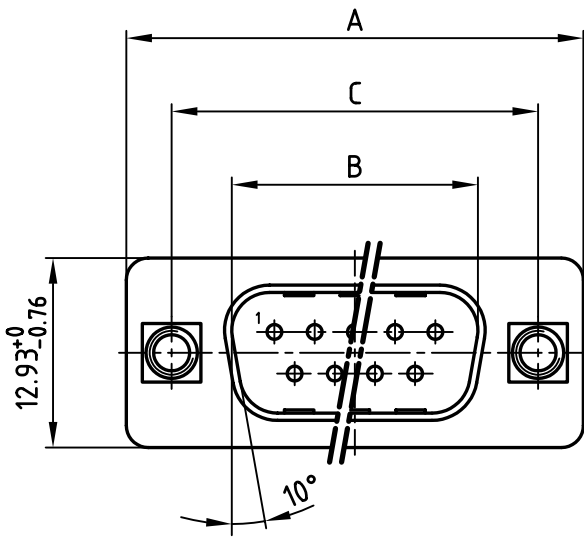


used for: D-SUB

POS.	A $-0.76$	B $+0.25$	C	D $-0.3$	Part-NO.
9	31.19	16.79	25.00 $\begin{smallmatrix} +0.12 \\ -0.13 \end{smallmatrix}$	6.12	DSS1XPXXG04X
15	39.52	25.12	33.30 $\begin{smallmatrix} +0.15 \\ -0.1 \end{smallmatrix}$	6.12	DSS2XPXXG04X
25	53.42	38.84	47.04 $\pm 0.13$	5.99	DSS3XPXXG04X
37	69.70	55.30	63.50 $\pm 0.13$	5.99	DSS4XPXXG04X



Directive 2002/95/EC  
"RoHS"  
Compliant

**NOTES:**

1. METALSHELLS: STEEL; min. 315µm TIN over 40-80µm NICKEL
2. INSULATORS: PBT GF UL 94 V-0, BLACK
3. THREADED INSERT: COPPER ALLOY; min. 200µm TIN over 80µm NICKEL
4. COLLAR: COPPER ALLOY; min. 200µm TIN over 80µm NICKEL
5. MAXIMUM TORQUE VALUE FOR THREAD: 6in.LBS
6. CONNECTOR IS PART MARKED: PART-NO. CONEC ABC

THIS DRAWING MAY NOT BE COPIED OR REPRODUCED IN ANY WAY, AND MAY NOT BE PASSED ON TO A THIRD PARTY WITHOUT WRITTEN PERMISSION.  
 OWNERSHIP AND COPYRIGHT OF CONEC GmbH  
 DO NOT ALTER CAD DRAWING BY HAND

			tolerance		 dim. in mm
			2006	date	
			drawn	29.09.	Lehmenkühler
			appd.	02.10.	Kühle
			norm	DIN 41652	
			d-old		
a	Origin				
rev.	description	date			

scale:	2:1	
material:	SEE NOTES	
title:	<b>D-SUB MALE</b> 9-37pos. CRIMP STYLE with threaded insert	
dwg no:	AutoCAD 2006	DIN-A
	16K1A1903	4
		sh: 1/1
part no:	SEE TABLE	