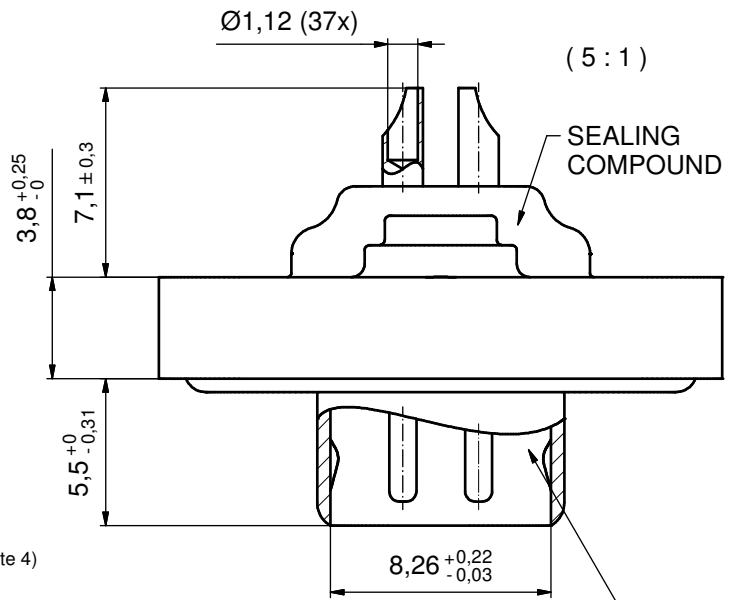


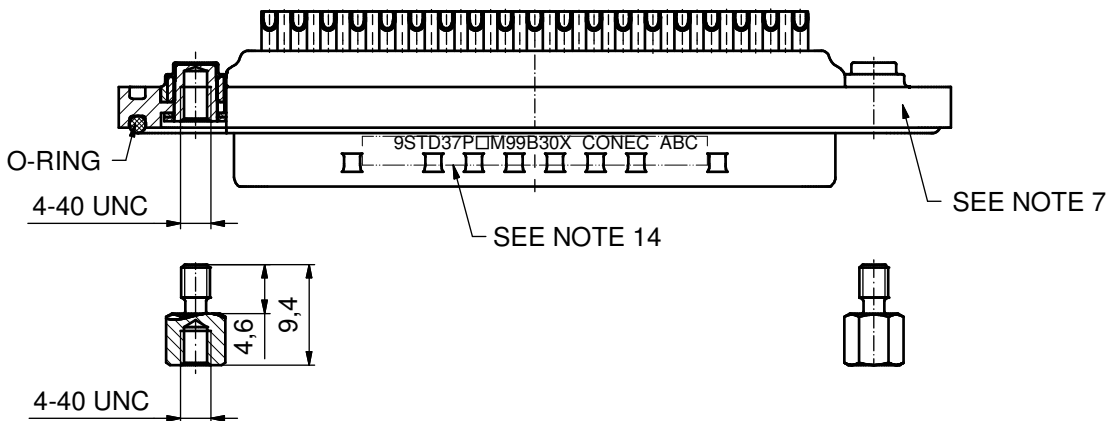
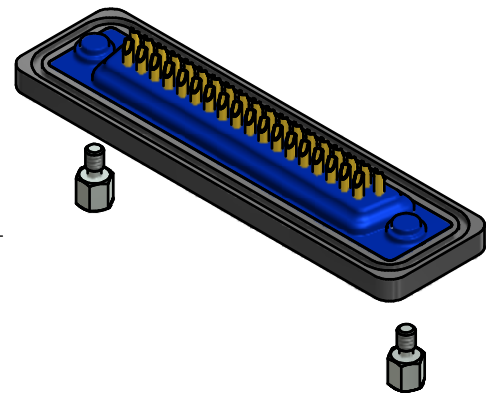
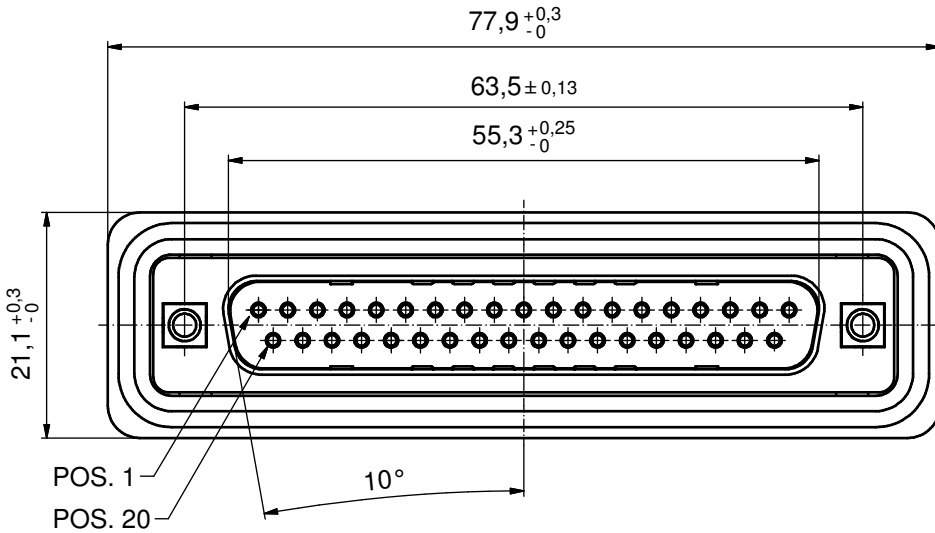
NOTES:

1. RECOMMENDED SOLDER INSTRUCTION SEE SHEET 2
2. METALSHELLS: STAINLESS STEEL
3. INSULATORS: PBT GF UL 94 V-0, BLACK
4. SIGNAL CONTACTS: COPPER ALLOY; PLATING (SEE PART NO.)
 - PLEASE ADD C for 30µin HARD GOLD over min. 50µin NICKEL
 - PLEASE ADD B for 20µin HARD GOLD over min. 50µin NICKEL
 - PLEASE ADD A for GOLD FLASH over NICKEL (PREFERRED TYPE)
 SOLDER CUP ACCEPTS CABLE AWG 20
5. THREADED INSERTS: COPPER ALLOY; min. 200µin TIN over 80µin NICKEL
6. COLLARS: COPPER ALLOY; min. 200µin TIN over 80µin NICKEL
7. FRAME: PA GF UL 94 V-0; BLACK
8. RUBBER-GASKET: TPE; BLACK
9. HEXLOCKING SCREW: STAINLESS STEEL
10. O-RING: SILICON; BLUE
11. SEALING COMPOUND: PUR; BLUE
12. RECOMMENDED PANEL CUT-OUT SEE SHEET 2
13. RECOMMENDED TORQUE FOR MOUNTING SCREW 35Ncm (3.1 in.LB) / max.40Ncm (3.5 in.LB)
14. CONNECTOR IS PART MARKED: 9STD37P□M99B30X CONEC ABC (see note 4)

AT ALL TIMES WATER RESISTANT CONNECTORS NOT IN USE SHOULD BE COVERED WITH A CONEC WATER RESISTANT CAP OR WATER TIGHT HOOD.



RUBBER GASKET PLACED ON TOP SURFACE OF MALE INSULATOR



Directive 2002/95/EC RoHS compliant

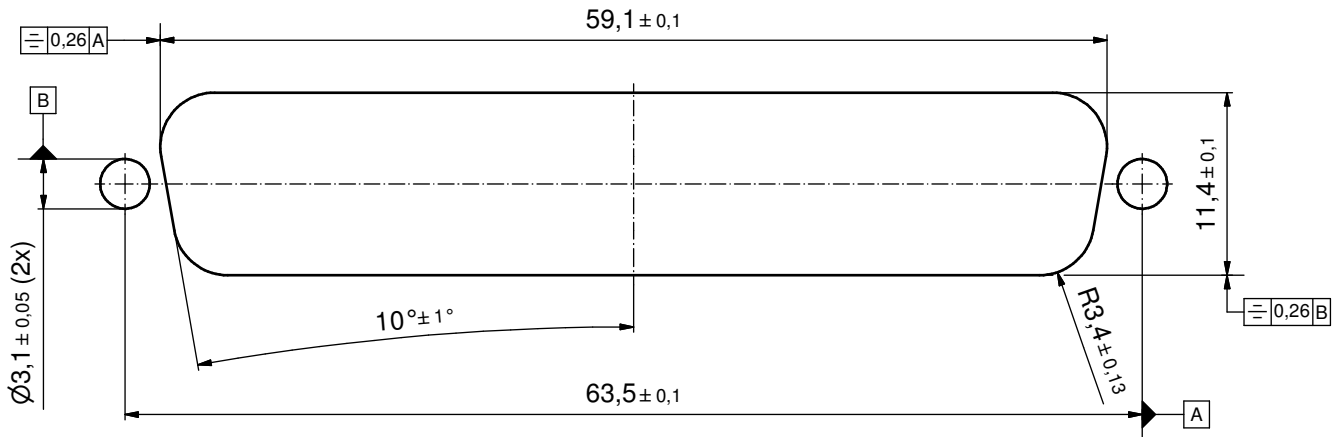
THIS DRAWING MAY NOT BE COPIED OR REPRODUCED IN ANY WAY, AND MAY NOT BE PASSED ON TO A THIRD PARTY WITHOUT WRITTEN PERMISSION. OWNERSHIP AND COPYRIGHT OF CONEC GmbH DO NOT ALTER CAD DRAWING BY HAND	tolerance		dim. in mm		scale:	2:1 (5:1)
					material:	SEE NOTES
	drawn	date	name		title: D-SUB MALE 37pos. SOLDER CUP with threaded insert and hexlocking screw	
	appd.	24.08.12	Fischer			
	norm			dwg no:		
d-old			sh: 1/2			
rev.	description	date	name	dwg no: 15K1A1130 part no: 9STD37P□M99B30X (see note 4)		



Solder Instruction

1. Cable should be prepared for soldering. The cable/wires must be pretinned.
2. Insert cable/wire into solder cup.
3. Operate the soldering iron at 350 °C, 50 Watt max. and use a pencil tip.
4. Put tip to wire in solder cup.
5. After 1 second bring in solder.
6. Heat for 3 seconds longer. Do not heat contact more than 4 seconds in total.
7. Remove soldering iron.
8. Wait until solder gets rigid again.
9. Do not solder adjacent contacts consecutively, alternate position within the connector to minimize heat build up.

RECOMMENDED PANEL CUT-OUT



THIS DRAWING MAY NOT BE COPIED OR REPRODUCED IN ANY WAY, AND MAY NOT BE PASSED ON TO A THIRD PARTY WITHOUT WRITTEN PERMISSION. OWNERSHIP AND COPYRIGHT OF CONEC GmbH DO NOT ALTER CAD DRAWING BY HAND				tolerance	dim. in mm	scale:	3:1	
				date		name	material:	see sheet1
				drawn	24.08.12	Henneboel	PANEL CUT-OUT D-SUB MALE 37pos. SOLDER CUP with threaded insert hexlocking screw	
				appd.	24.08.12	Fischer		
				norm				
			d-old			dwg no:	DIN-A3	
			rev.	description	date	name	sh: 2/2	
			CONEC ®			15K1A1130 part no: SEE SHEET 1		