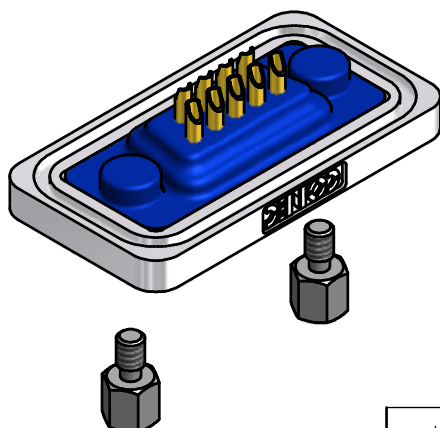
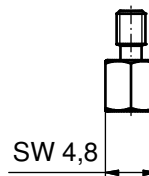
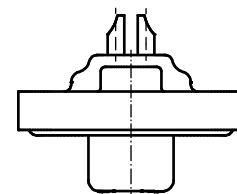
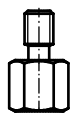
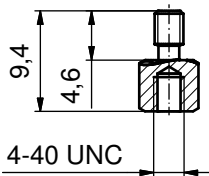
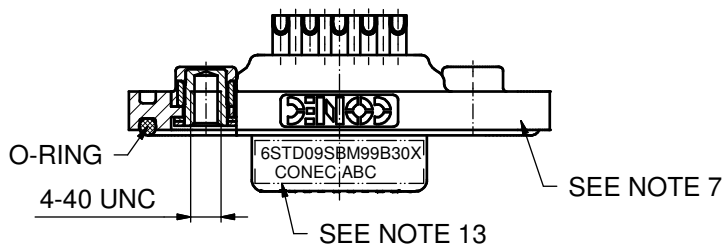
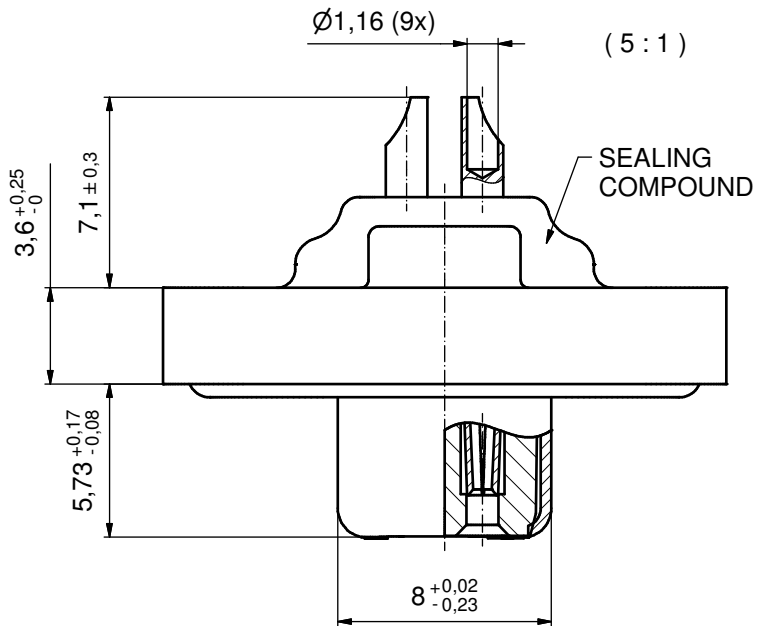
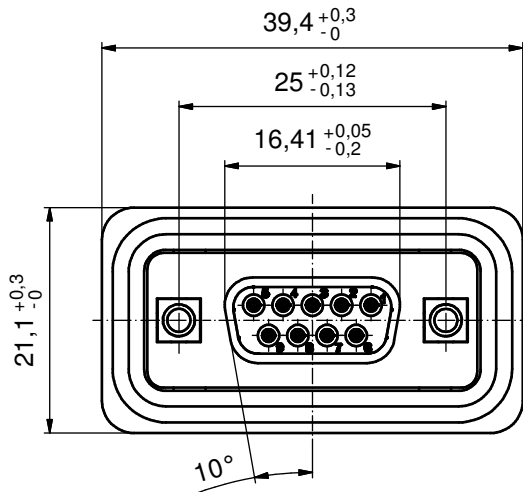


AT ALL TIMES WATER RESISTANT CONNECTORS NOT IN USE SHOULD BE COVERED WITH A CONEC WATER RESISTANT CAP OR WATER TIGHT HOOD.



NOTES:

1. RECOMMENDED SOLDER INSTRUCTION SEE SHEET 2
2. METAL SHELLS: COPPER ALLOY; min. 315µm TIN over 40-80µm NICKEL
3. INSULATORS: PBT GF UL 94 V-0, BLACK
4. CONTACTS: COPPER ALLOY  
PLATING: 20µm HARD GOLD over min. 50µm NICKEL  
SOLDER CUP ACCEPTS CABLE AWG 20
5. THREADED INSERTS: COPPER ALLOY; min. 200µm TIN over 80µm NICKEL
6. COLLARS: COPPER ALLOY; min. 200µm TIN over 80µm NICKEL
7. FRAME: ZINC DIE CAST; NICKEL PLATED
8. HEXLOCKING SCREWS: STAINLESS STEEL
9. O-RING: SILICON; BLUE
10. SEALING COMPOUND: PUR; BLUE
11. RECOMMENDED PANEL CUT-OUT SEE SHEET 2
12. RECOMMENDED TORQUE FOR MOUNTING SCREW 35Ncm (3.1 in.LB) / max.40Ncm (3.5 in.LB)
13. CONNECTOR IS PART MARKED: 6STD09SBM99B30X CONEC ABC

Directive 2002/95/EC RoHS compliant

|   |           |             |            |        |  |           |          |                 |
|---|-----------|-------------|------------|--------|--|-----------|----------|-----------------|
| THIS DRAWING MAY NOT BE COPIED OR REPRODUCED IN ANY WAY, AND MAY NOT BE PASSED ON TO A THIRD PARTY WITHOUT WRITTEN PERMISSION. OWNERSHIP AND COPYRIGHT OF CONEC GmbH DO NOT ALTER CAD DRAWING BY HAND | tolerance |             | dim. in mm |        | scale:   | 2:1 (5:1) |          |                 |
|   |           |             |            |        | material:  | SEE NOTES |          |                 |
|   | date      | name        |            | title: |  |           |          |                 |
|   | drawn     | 11.01.11    | Henneboel  |        | <b>D-SUB FEMALE</b><br>9pos. SOLDER CUP<br>with threaded insert and hexlocking screw |           |          |                 |
|   | appd.     | 11.01.11    | Fischer    |        |  |           |          |                 |
|   | norm      |             |            |        |  |           |          |                 |
|   | d-old     |             |            |        |  | dwg no:   |          |                 |
|   | a         | Origin      |            |        |  |           | 15K1A775 |                 |
|   | rev.      | description | date       | name   |  |           | part no: | 6STD09SBM99B30X |
|   |           |             |            |        |  |           | DIN-A3   | sh: 1           |