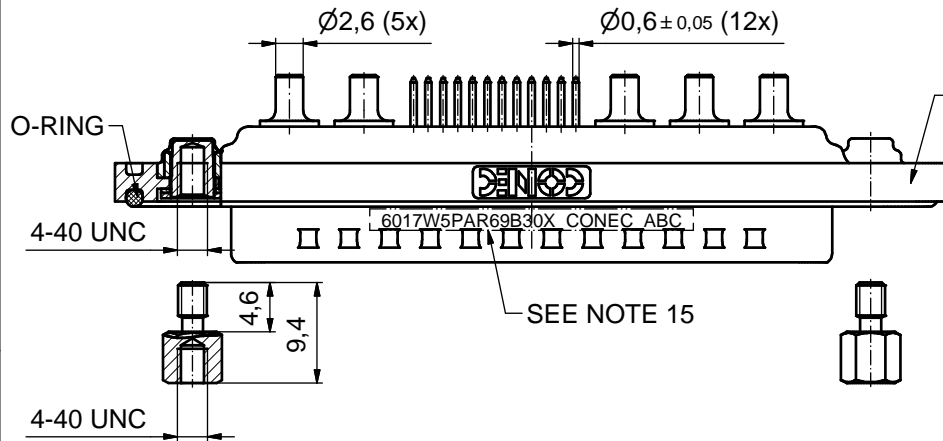
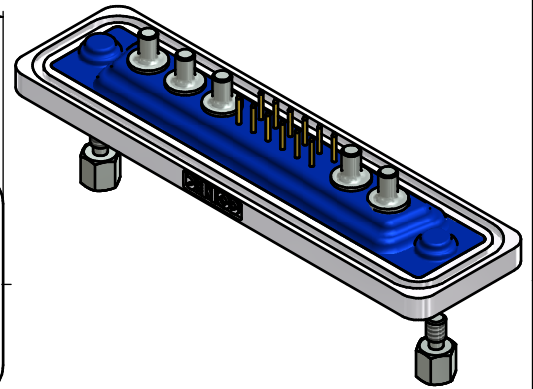
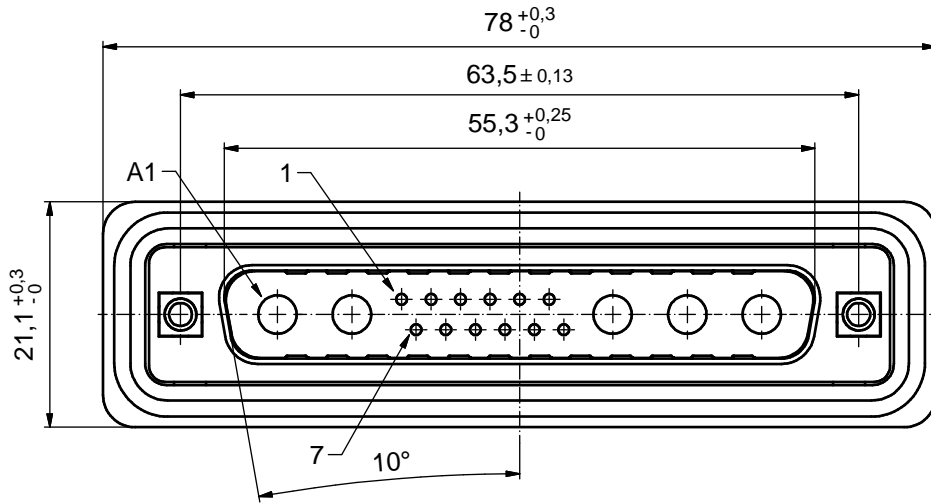
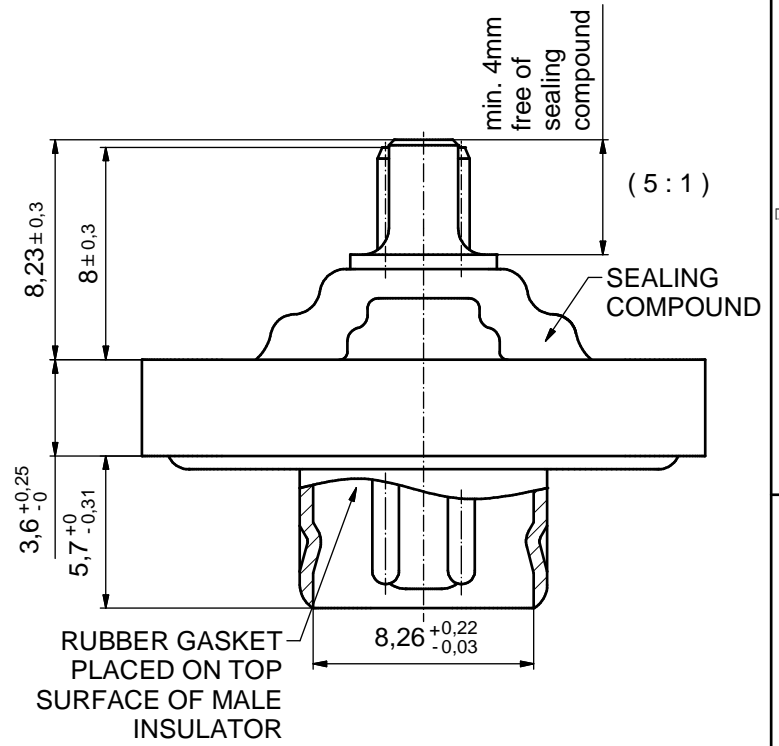
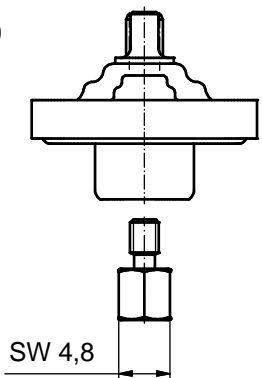


NOTES:

- FOR WAVESOLDERING (SOLDER BATH TEMPERATURE 240°C FOR 5 SEC. AND SOLDER PREHEAT 120°C FOR 120 SEC.)
- METALSHELLS: COPPER ALLOY; min. 315µin TIN over 40-80µin NICKEL
- INSULATORS: PBT GF UL 94 V-0; GREEN
- SIGNAL CONTACTS: COPPER ALLOY
PLATING: GOLD FLASH over NICKEL
- HIGH POWER CONTACTS 20A: COPPER ALLOY
PLATING MATING AREA: GOLD FLASH over NICKEL
PLATING TERMINATION SIDE: 160-240µin TIN over 80µin NICKEL
- THREADED INSERTS: COPPER ALLOY; min. 200µin TIN over 80µin NICKEL
- COLLARS: COPPER ALLOY; min. 200µin TIN over 80µin NICKEL
- HEXLOCKING SCREWS: STAINLESS STEEL
- FRAME : ZINC DIE CAST; NICKEL PLATED
- O-RING: SILICON; BLUE
- SEALING COMPOUND: PUR; BLUE
- RUBBER GASKET: TPE; BLACK
- P.C.B. HOLE DRILLINGS + RECOMMENDED PANEL CUT-OUT ON SHEET 2
- RECOMMENDED TORQUE FOR MOUNTING SCREW
35Ncm (3.1in.LB) / max. 40Ncm (3.5 in.LB)
- CONNECTOR IS PART MARKED: 6017W5PAR69B30X CONEC ABC



SEE NOTE 9

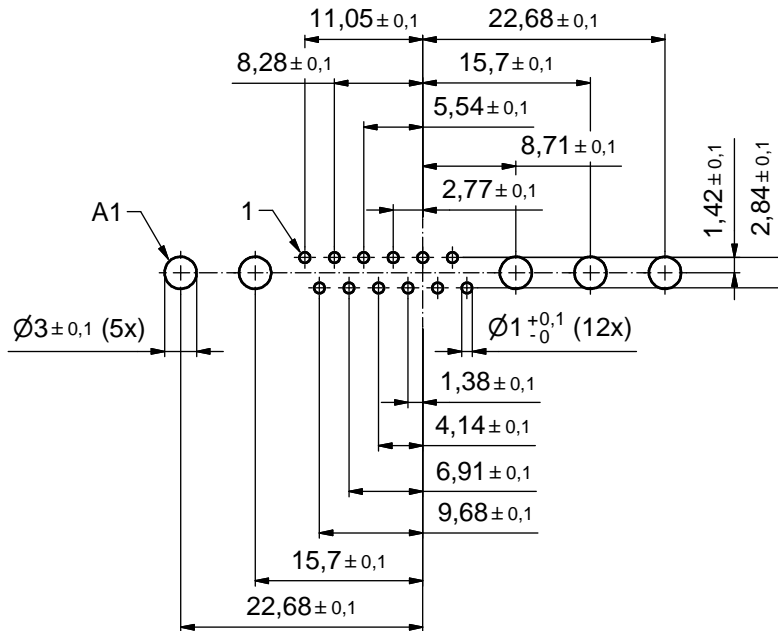


AT ALL TIMES WATER RESISTANT CONNECTORS NOT IN USE SHOULD BE COVERED WITH A CONEC WATER RESISTANT CAP OR WATER TIGHT HOOD.

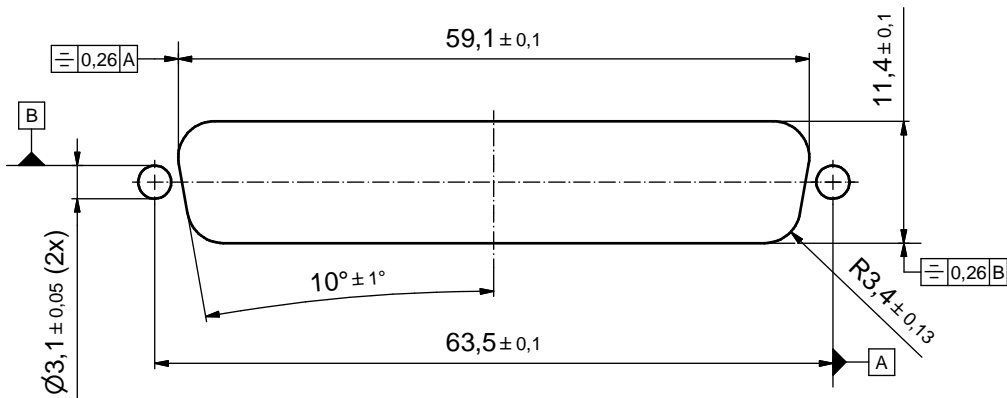
Directive 2002/95/EC RoHS compliant

THIS DRAWING MAY NOT BE COPIED OR REPRODUCED IN ANY WAY, AND MAY NOT BE PASSED ON TO A THIRD PARTY WITHOUT WRITTEN PERMISSION. OWNERSHIP AND COPYRIGHT OF CONEC GmbH DO NOT ALTER CAD DRAWING BY HAND	tolerance		dim. in mm		scale: 2:1 (5:1)	
					material: SEE NOTES	
	drawn	05.05.11	Lehmenkühler		title: D-SUB COMBINATION MALE 17W5P SOLDER PIN STRAIGHT with threaded insert and hexlocking screw	
	appd.	06.05.11	Fischer			
	norm					
d-old				dwg no: Inventor 10	DIN-A3	
a	Original	CONEC ®		15K1A835		sh: 1
rev.	description			date	name	part no: 6017W5PAR69B30X

P.C.B. HOLE DRILLINGS
(P.C.B. TOP SIDE)



RECOMMENDED PANEL CUT-OUT



THIS DRAWING MAY NOT BE COPIED OR REPRODUCED IN ANY WAY, AND MAY NOT BE PASSED ON TO A THIRD PARTY WITHOUT WRITTEN PERMISSION. OWNERSHIP AND COPYRIGHT OF CONEC GmbH DO NOT ALTER CAD DRAWING BY HAND				tolerance		scale: 2:1
				date	name	material: SEE SHEET 1
				drawn	05.05.11	Lehmenkühler
				appd.	06.05.11	Fischer
				norm		
			d-old			
			CONEC [®]			title: P.C.B. HOLE DRILLINGS RECOMMENDED PANEL CUT-OUT D-SUB COMB. MALE 17W5P SOLDER PIN
a	Original					dwg no:
rev.	description	date	name	15K1A835		sh: 2
						part no: SEE SHEET 1