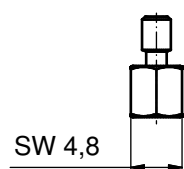
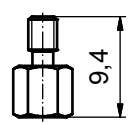
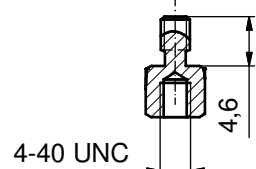
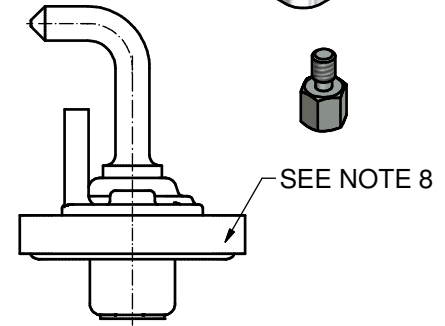
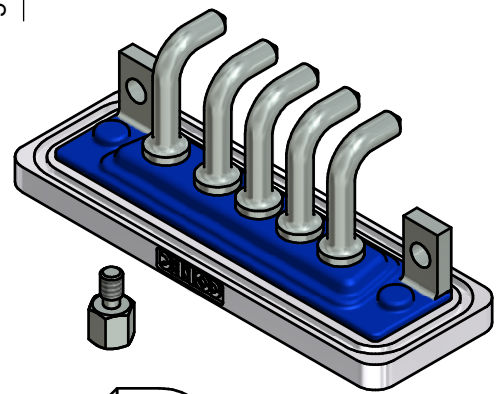
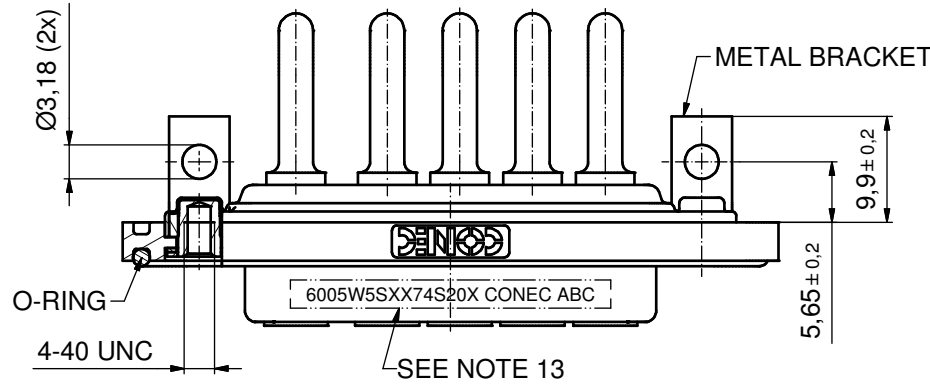
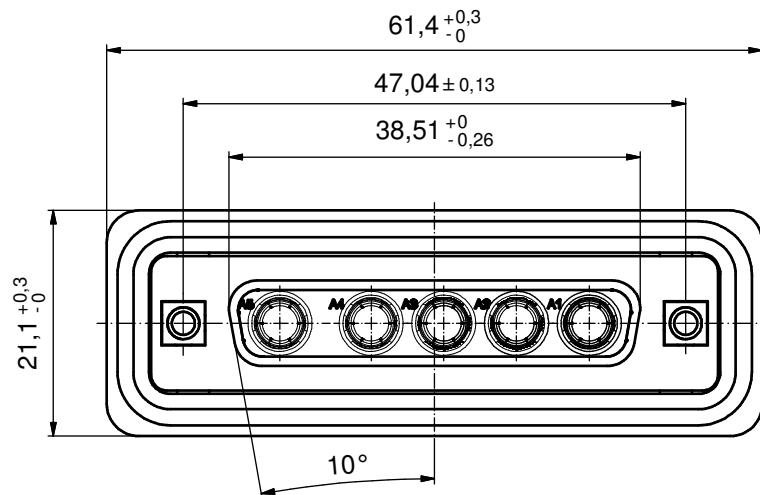
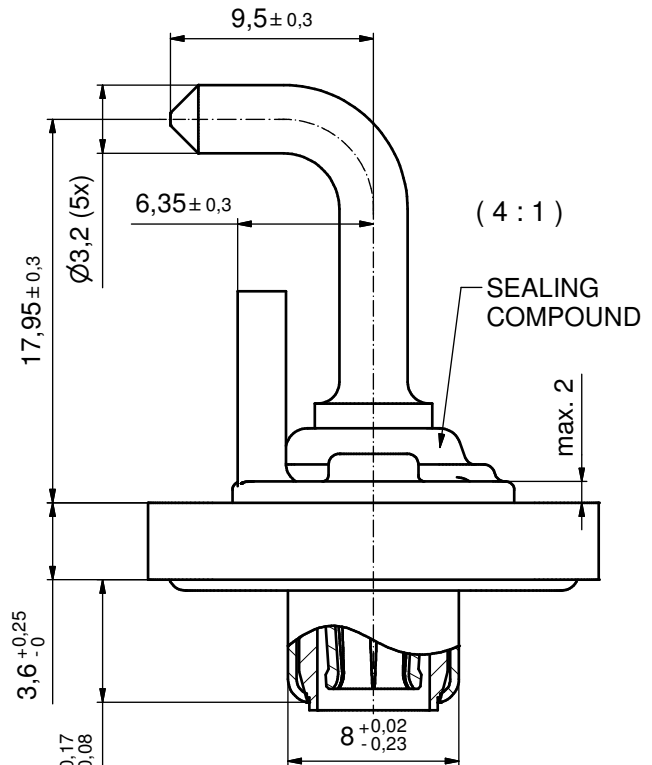


NOTES:

- FOR WAVESOLDERING (SOLDER BATH TEMPERATURE 240°C FOR 5 SEC. AND SOLDER PREHEAT 120°C FOR 120 SEC.)
- METALSHELLS: COPPER ALLOY; min. 315µin TIN over 40-80µin NICKEL
- SEALING COMPOUND: PUR; BLUE
- INSULATORS: PBT GF UL 94 V-0; GREEN
- HIGH POWER CONTACTS 30A: COPPER ALLOY
PLATING MATING AREA: GOLD FLASH over NICKEL
PLATING TERMINATION SIDE: 160-240µin TIN over 80µin NICKEL
- THREADED INSERTS: COPPER ALLOY; min. 200µin TIN over 80µin NICKEL
- METAL BRACKETS: ZINC DIE CAST; 300µin COPPER / 40-120µin NICKEL/ 120-200µin TIN
- FRAME: ZINC DIE CAST; NICKEL PLATED
- O-RING: SILICON; BLUE
- HEXLOCKING SCREWS: STAINLESS STEEL
- P.C.B. HOLE DRILLINGS + RECOMMENDED PANEL CUT-OUT ON SHEET 2
- RECOMMENDED TORQUE FOR MOUNTING SCREW
35Ncm (3,1 in.LB) / max. 40Ncm (3,5 in.LB)
- CONNECTOR IS PART MARKED: 6005W5SXX74S20X CONEC ABC

AT ALL TIMES WATER RESISTANT CONNECTORS NOT IN USE SHOULD BE COVERED WITH A CONEC WATER RESISTANT CAP OR WATER TIGHT HOOD.



Directive 2002/95/EC
RoHS
Compliant

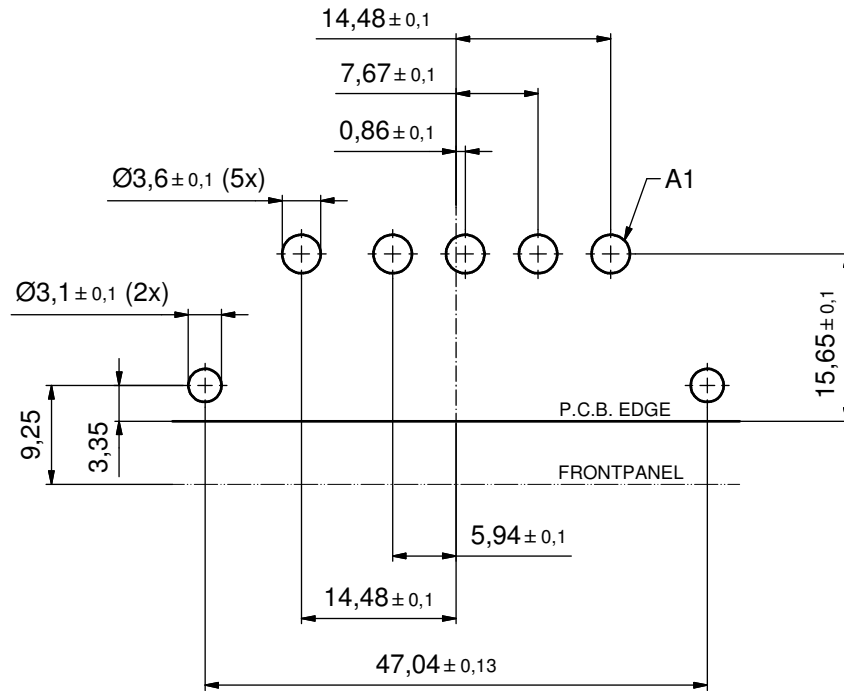
APPROVAL # FREIGABE # DEBLOCAGE # AUTORIZACION # APPROVAL	
CUSTOMER APPROVAL DATE:	
NAME:	TITLE:
COMPANY NAME:	
APPROVAL # FREIGABE # DEBLOCAGE # AUTORIZACION # APPROVAL	

DO NOT ALTER CAD DRAWING BY HAND				tolerance	dim. in mm	scale:	2:1 (4:1)
THIS DRAWING MAY NOT BE COPIED OR REPRODUCED IN ANY WAY, AND MAY NOT BE PASSED ON TO A THIRD PARTY WITHOUT WRITTEN PERMISSION. OWNERSHIP AND COPYRIGHT OF CONEC GmbH				date	name	material:	SEE NOTES
rev.				date	name	title:	
a				Origin		D-SUB COMBINATION FEMALE	
CONEC®						5W5S SOLDER CUP	
						with threaded insert, metal bracket and hexlocking screw	
						dwg no:	Inventor 10
							DIN-A3
							sh: 1
						part no:	6005W5SXX74S20X

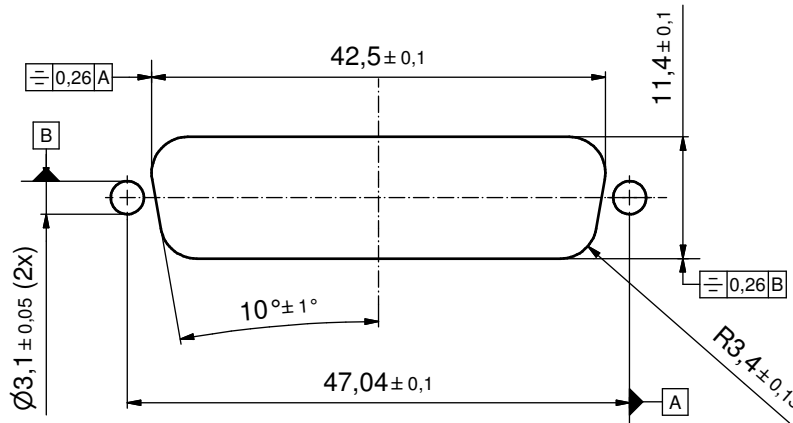
scale:		2:1 (4:1)
material:		SEE NOTES
title:		
D-SUB COMBINATION FEMALE		
5W5S SOLDER CUP		
with threaded insert, metal bracket and hexlocking screw		
dwg no:	Inventor 10	DIN-A3
	15K1A752	sh: 1
part no:	6005W5SXX74S20X	

P.C.B. HOLE DRILLINGS

(P.C.B. TOP SIDE)



RECOMMENDED PANEL CUT-OUT



APPROVAL # FREIGABE # DEBLOCAGE # AUTORIZACION # APPROVAL	
CUSTOMER APPROVAL DATE:	
NAME:	TITLE:
COMPANY NAME:	
APPROVAL # FREIGABE # DEBLOCAGE # AUTORIZACION # APPROVAL	

THIS DRAWING MAY NOT BE COPIED OR REPRODUCED IN ANY WAY, AND MAY NOT BE PASSED ON TO A THIRD PARTY WITHOUT WRITTEN PERMISSION. OWNERSHIP AND COPYRIGHT OF CONEC GmbH				tolerance		dim. in mm	
DO NOT ALTER CAD DRAWING BY HAND				date	name	scale: 4:1	
rev.	description	date	name	drawn	15.11.10	Henneboel	material: SEE SHEET 1
a	Origin			appd.	16.11.10	Fischer	title: PANEL CUT-OUT
				norm			D-SUB COM. FEMALE 5W5S SOLDER CUP with threaded insert, metal bracket and hexlocking screw
				d-old			dwg no: Inventor 10
				CONEC			DIN-A3
						part no: 15K1A752	sh: 2
							part no: see sheet 1

scale: 4:1	
material: SEE SHEET 1	
title: PANEL CUT-OUT	
D-SUB COM. FEMALE 5W5S SOLDER CUP with threaded insert, metal bracket and hexlocking screw	
dwg no: Inventor 10	DIN-A3
part no: 15K1A752	sh: 2
part no: see sheet 1	