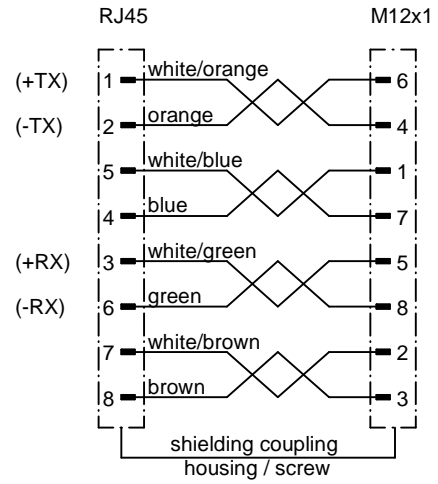
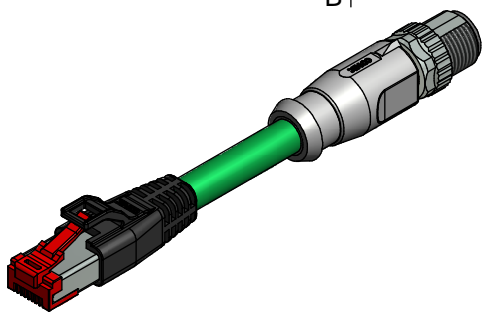
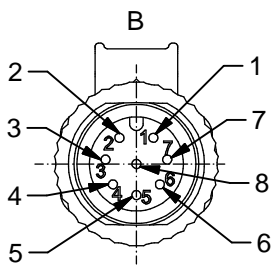


**Contact assignment 8pos:**



Width across flats 13



**Technical specification :**

- Rated voltage: 30 V
- Current rating: 1 A bei 40°C
- Insulation resistance: >=100 MΩ IEC 60512
- Degree of protection M12: IP 67, in mated condition IEC 60529
- Degree of protection RJ45: IP 20, connected IEC 60529
- Temperature range: -20°C ... +60°C
- Mating cycles: >=100 IEC 60512-9a

**Cable specification:**

- Temperatur range: static -20°C ... +80°C

**Materials M12x1:**

- Contact: CuZn, Ni3 Au 0,2 gal.
- Contact carrier: PA, UL 94 V-0
- Coupling screw: GD-Zn, Nickel plated
- Moulding body: TPU, UL 94 HB, grey

**Materials RJ45:**

- Contact: Copper alloy, gold plated
- Contact carrier: PC, UL 94 V-2
- Shield cover: Copper alloy, tin plated
- Conductor holding tray: PC, UL 94 V-2
- Moulding body: TPU, UL 94 HB, black

**Installation specification:**

- Recommended torque: 0,6 Nm
- Conec installation tool: Torque wrench: 36-000200  
Insert across flats 13: 36-000220

Part no:	Description:	Length L:	Cable:
43-18411	SAL -45S - RS8.31 - 12S - RS8.23 - 0,3 / GAJ	0,3m	PVC, UL 2464, green, 4x2xAWG24, Cat 5e Cable: 781-GAJ080T
43-18412	SAL -45S - RS8.31 - 12S - RS8.23 - 0,6 / GAJ	0,6m	
43-18381	SAL -45S - RS8.31 - 12S - RS8.23 - 1,5 / GAJ	1,5m	
43-18414	SAL -45S - RS8.31 - 12S - RS8.23 - 3 / GAJ	3m	
43-xxxxx	SAL -45S - RS8.31 - 12S - RS8.23 - ... / GAJ	x	

DO NOT ALTER CAD DRAWING BY HAND RoHS & REACH compliant	Index a: 10.03.2015 rch Ä5564 Contact assignment adjusted: twisting by pairs changed		dim. in mm		title: <b>Connecting cable, male connector RJ45 - male connector M12x1 axial, 360°-shielding</b>
	tolerance of cable: L <= 4m: L + 40mm L > 4m: L + 1%		date	name	
	general tolerance: 0 ± 0,50mm 0,0 ± 0,25mm 0,00 ± 0,10mm ± 5°		drawn	18.02.15	Christen
	THIS DRAWING MAY NOT BE COPIED OR REPRODUCED IN ANY WAY, AND MAY NOT BE PASSED ON TO A THIRD PARTY WITHOUT WRITTEN PERMISSION. OWNERSHIP AND COPYRIGHT OF CONEC GmbH		appd.	18.02.15	Franz
<b>CONEC®</b>			dwg no: <b>43K1A2942</b>		part no: