

**Technical specification :**

Rated voltage: 30 V  
 Current rating: 1 A bei 40°C  
 Insulation resistance: >=100 MΩ  
 IEC 60512  
 Pollution degree: 3/2  
 IEC 60664-1  
 Degree of protection M12x1: IP 67, in mated condition  
 IEC 60529  
 Degree of protection RJ45: IP 20, in mated condition  
 IEC 60529  
 Temperature range: -30°C ... +80°C  
 Mating cycles: >=100  
 IEC 60512-9a

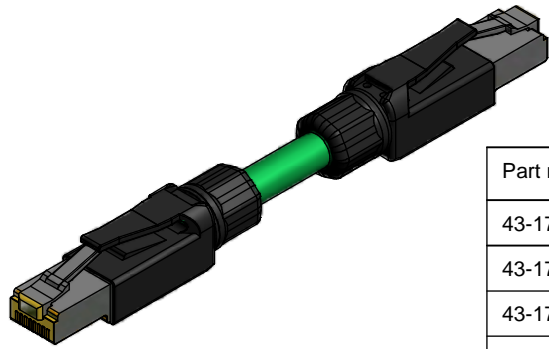
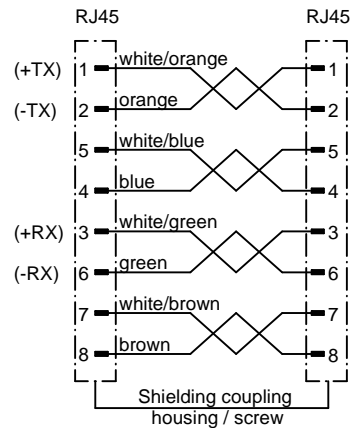
**Cable specification:**

Temperatur range: -40°C ... +90°C

**Material RJ45:**

Contact: Cu - alloy, Au  
 Contact carrier: PBT / PC, UL 94 V-0  
 Shield cover: Cu - alloy, Ni  
 Conductor holding tray: PC, UL 94 V-0  
 Housing: PA, UL 94 V-0, black

**Contact assignment 8pos:**



Representation RJ45 is not true to the original

Part no.:	Description:	Length L:	Cable:
43-17026	SAL - 45S - SS8.31 - SS8.31 - 0,3 / GAF / 025	0,3m	TPU, UL 20236, green, 4x2xAWG24, Cat5e Cable: 781-GAF080T
43-17027	SAL - 45S - SS8.31 - SS8.31 - 0,6 / GAF / 025	0,6m	
43-17028	SAL - 45S - SS8.31 - SS8.31 - 1,5 / GAF / 025	1,5m	
43-17029	SAL - 45S - SS8.31 - SS8.31 - 3 / GAF / 025	3m	
43-xxxxx	SAL - 45S - SS8.31 - SS8.31 - ... / GAF / 025	x	

DO NOT ALTER CAD DRAWING BY HAND RoHS & REACH compliant	tolerance of cable: L ≤ 4m: L + 40mm L > 4m: L + 1%	
	general tolerance:	0 ± 0,50mm 0,0 ± 0,25mm 0,00 ± 0,10mm * ± 5°
	THIS DRAWING MAY NOT BE COPIED OR REPRODUCED IN ANY WAY, AND MAY NOT BE PASSED ON TO A THIRD PARTY WITHOUT WRITTEN PERMISSION. OWNERSHIP AND COPYRIGHT OF CONEC GmbH	
	CONEC®	

dim. in mm		title: <b>Connecting cable, male connector RJ45 - male connector RJ45, 360°-shielding</b>
date	name	
drawn	04.05.15	Böckeler
appd.	04.05.15	Mankopf
dwg no:		<b>43K1A3016</b>
part no:		see table

