

**Technical specification :**

Rated voltage: IEC 61076-2-104	4/3pos 60 V
Current rating: IEC 61076-2-104	3 A at 40°C
Insulation resistance: IEC 60512	$\geq 100 \text{ M}\Omega$
Pollution degree: IEC 60664-1	3/2
Degree of protection: IEC 60529	IP 67, in mated condition
Temperature range:	-30°C ... +80°C
Mating cycles: IEC 60512-9a	$\geq 100$

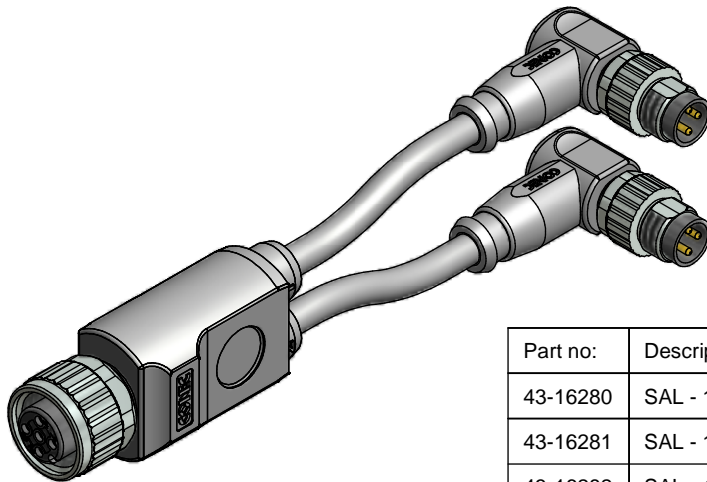
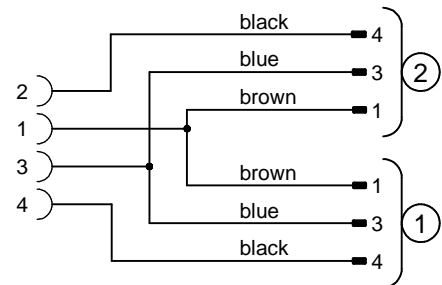
**Materials:**

Contact:	CuZn
Contact plating:	Nickel, gold plated
Contact carrier:	PA, UL 94
Sealing:	FPM
Coupling nut/ screw:	GD-Zn, nickel plated
Moulding body:	TPU, UL 94, grey

**Installation specification:**

Recommended torque:	0,6 Nm at width across flats 13 0,4 Nm at width across flats 9
Conec installation tool:	Torque wrench: 36-000200 Insert across flats 13: 36-000220 Insert across flats 9: 36-000210

**contact assignment 4/3pol:**



Part no:	Description:	Length L:	Cable:
43-16280	SAL - 12 - DK4 - 8 - 2RSW3 - 0,3 / 0,3 / A1	0,3m	PVC, grey, 3x0,25mm <sup>2</sup> Cable: 781-A12300
43-16281	SAL - 12 - DK4 - 8 - 2RSW3 - 0,6 / 0,6 / A1	0,6m	
43-16282	SAL - 12 - DK4 - 8 - 2RSW3 - 1,5 / 1,5 / A1	1,5m	
43-16283	SAL - 12 - DK4 - 8 - 2RSW3 - 3 / 3 / A1	3,0m	
43-xxxxx	SAL - 12 - DK4 - 8 - 2RSW3 - ... / ... / A1	x	

D see data sheet cable

DO NOT ALTER CAD DRAWING BY HAND Directive 2002/95/EC RoHS compliant	dim. in mm		title: <b>Duo-distributor, female connector M12x1 axial - 2x male connector M8x1 angled</b>
	tolerance of cable: $L \leq 4m: L + 40mm$ $L > 4m: L + 1\%$		
	general tolerance: $0 \pm 0,50mm$ $0,0 \pm 0,25mm$ $0,00 \pm 0,10mm$		part no: <b>see table</b>