

**Technical specification:**

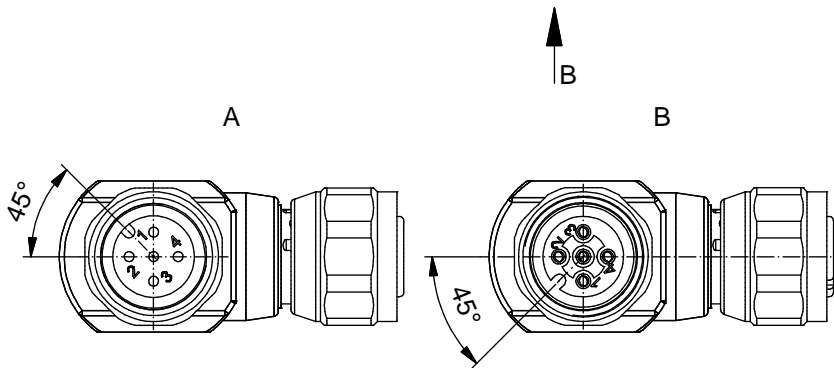
Rated voltage: IEC 61076-2-101	4pol 5pol 240 V 60 V
Current rating: IEC 61076-2-101	4 A at 40°C
Insulation resistance: IEC 60512	>=100 MΩ
Pollution degree: IEC 60664-1	3/2
Degree of protection: IEC 60529	IP 67, in mated condition
Temperature range:	-30°C ... +80°C
Mating cycles: IEC 60512-9a	>=100

**Materials:**

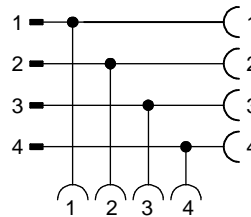
Contact:	CuZn
Contact plating:	Nickel, gold plated
Contact carrier:	PA, UL 94
Sealing:	FPM
Coupling nut/ screw:	1.4404 stainless steel
Moulding body:	TPU, UL 94, grey

**Installation specification:**

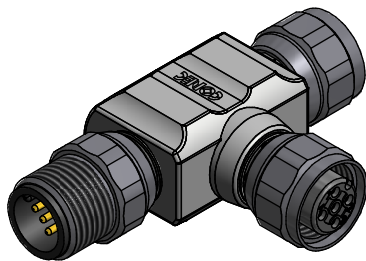
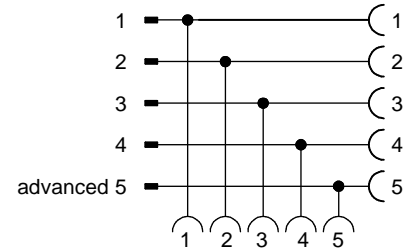
Recommended torque:	0,6 Nm
Conec installation tool:	Torque wrench: 36-000200 Insert across flats 14: 36-000370



**Contact assignment 4pos:**



**Contact assignment 5pos:**



Part no:	Description:
43-05155	SAL-12-TSE4-TKE4-TKE4
43-05156	SAL-12-TSE5-TKE5-TKE5

DO NOT ALTER CAD DRAWING BY HAND Directive 2002/95/EC RoHS compliant	dim. in mm		title: <b>Adapter, male connector M12x1 - 2x female connector M12x1 stainless steel</b>	
		date		name
	drawn	23.10.12		Gitinow
	appd.	23.10.12		Fromm
general tolerance:	0 ± 0,50mm		dwg no: <div style="text-align: center; font-size: 1.2em; font-weight: bold;">43K1A1788</div>	
	0,0 ± 0,25mm			
	0,00 ± 0,10mm		part no: see table	
THIS DRAWING MAY NOT BE COPIED OR REPRODUCED IN ANY WAY, AND MAY NOT BE PASSED ON TO A THIRD PARTY WITHOUT WRITTEN PERMISSION. OWNERSHIP AND COPYRIGHT OF CONEC GmbH				