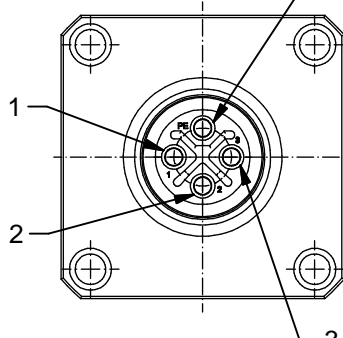
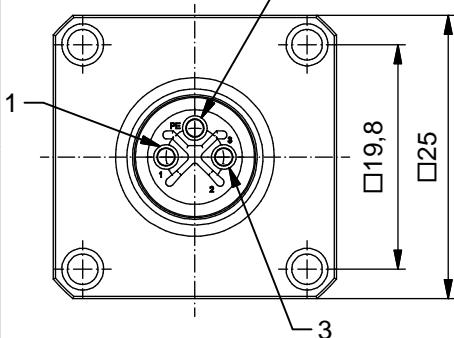


A
2-pos. + PE

A
3-pos. + PE



Contact assignment:

- 1 ■ black 1
- 3 ■ black 3
- PE ■ green-yellow

Contact assignment:

- 1 ■ black
- 2 ■ black
- 3 ■ black
- 4 ■ green-yellow

Technical specification:

Rated voltage: 630 V AC/DC
IEC 61076-2-101
Current rating: 12 A at 40°C
IEC 61076-2-101
Insulation resistance: >=100 MΩ
IEC 60512
Pollution degree: 3/2
IEC 60664-1
Degree of protection: IP 67, in mated condition
IEC 60529
Temperature range: -30°C ... +85°C
EN 60512-11-10 -40°C
EN 60512-11-4 -40°C ... +85°C
UI 2238 -30°C ... +85°C
Mating cycles: >=100
IEC 60512-9a

Wire specification:

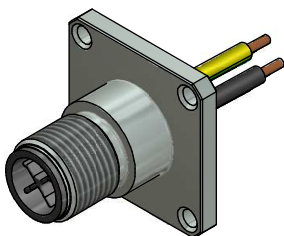
Temperatur range
static -30°C ... +80°C
flexibel -5°C ... +80°C

Materials:

Contact: CuZn, Ni b / Au 0,2 gal.
Contact carrier: PA, UL 94
Sealing: NBR
Socket housing: CuZn, nickel plated
Grouting: Polyurethane-resin, UL 94

Installation specification:

Recommended torque: 1-1,2 Nm
Conec installation tool: Torque wrench: 36-000200
Insert across flats 17: 36-000230
Recommended torque attachment screw M2,5: 0,5-0,7 Nm



Part no:	Description:	Pos	Length L:	Wire:
43-02496	SAL - 12SC - FSVO2PE - 0,5	3	0,5m	AWG 16 PVC, UL
43-xxxxx	SAL - 12SC - FSVO2PE - ...	3	x	
43-02497	SAL - 12SC - FSVO3PE - 0,5	4	0,5m	
43-xxxxx	SAL - 12SC - FSVO3PE - ...	4	x	

DO NOT ALTER CAD DRAWING BY HAND
Directive 2011/65/EU RoHS compliant
Index a: 14.09.15 Brü Ä5814 specifications changed, 3-pos. added
tolerance of wire: L <= 0,5m: L + 20mm
L > 0,5m: L + 4%
general tolerance: 0 ± 0,50mm
0,0 ± 0,25mm
0,00 ± 0,10mm
THIS DRAWING MAY NOT BE COPIED OR REPRODUCED IN ANY WAY, AND MAY NOT BE PASSED ON TO A THIRD PARTY WITHOUT WRITTEN PERMISSION. OWNERSHIP AND COPYRIGHT OF CONEC GmbH

dim. in mm
date name
drawn 24.04.2014 Brüntrup
appd. 24.04.2014 Mankopf
CONEC®

title:
Male socket M12x1 with wire, with square, and sealing, S-cod.
dwg no:
43K1A2272
part no:
see table