

Technical specification:

Rated voltage: 4pos 250 V 5pos 60 V
 IEC 61076-2-101
 Current rating: 4/5pos 4 A at 40°C
 IEC 61076-2-101
 Insulation resistance: >=100 MΩ
 IEC 60512
 Pollution degree: 3/2
 IEC 60664-1
 Degree of protection: IP 67, in mated condition
 IEC 60529
 Temperature range: -25°C ... +95°C
 EN 60512-11-10 -40°C
 EN 60512-11-4 -40°C ... +85°C

Mating cycles: >=100
 IEC 60512-9a

Total spring forces shroud: 6,00mm 8-9N

Materials:

Contact: CuZn, Ni b / Au 0,2 gal.
 Contact carrier: LCP GF, UL 94 V-0
 Soldering sheet: CuZn, Ni / tin plated
 Shroud: CuZn, Ni / sel. tin plated
 Socket housing: CuZn, Ni
 Sealing: FPM

Installation specification:

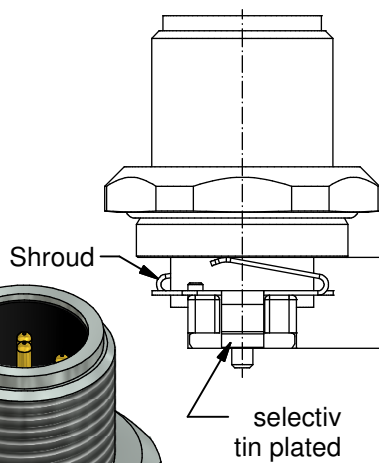
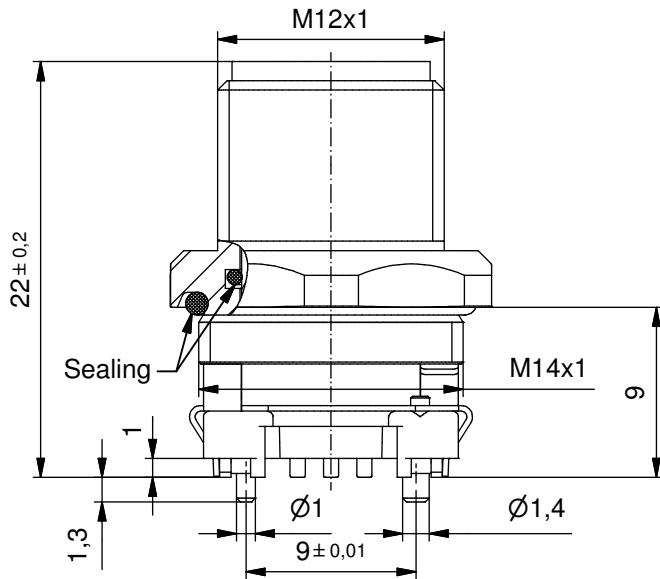
Recommended torque: 1-1,2 Nm

Conec installation tool: Torque wrench: 36-000200
 Insert across flats 17: 36-000230

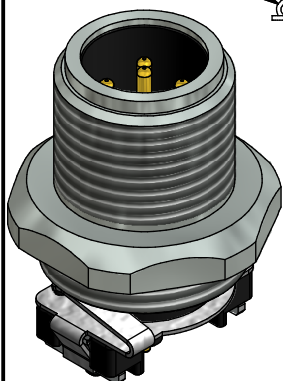
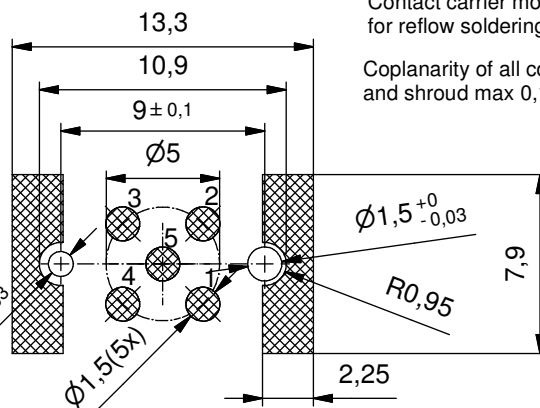
Mounting situation: see fig. 4 43K1A1791

Contact carrier module suitable for reflow soldering max. 60s / 250°C

Coplanarity of all contacts, soldering sheets and shroud max 0,1mm



Layout proposal



Part no. packing unit Tape & Reel:	Part no. packing unit in bulk:	Description:	Pos
43-02125TR	43-02125	SAL - 12B - FS4 - X9 / 14 / SMT	4
43-02126TR	43-02126	SAL - 12B - FS5 - X9 / 14 / SMT	5

DO NOT ALTER CAD DRAWING BY HAND

RoHS & REACH compliant

Index b 30.03.16 brü Ä6042
 technical data changed & tolerance optimized

general tolerance: 0 ± 0,50mm
 0,0 ± 0,25mm
 0,00 ± 0,10mm
 * ± 1,5°

THIS DRAWING MAY NOT BE COPIED OR REPRODUCED IN ANY WAY, AND MAY NOT BE PASSED ON TO A THIRD PARTY WITHOUT WRITTEN PERMISSION. OWNERSHIP AND COPYRIGHT OF CONEC GmbH

dim. in mm

	date	name
drawn	16.01.13	Gitinow
appd.	16.01.13	Kniesburgers

CONEC®

title: Male socket M12x1 SMT, b-coding

dwg no: 43K1A1856

part no: see table