

Technical specification :

Rated voltage: IEC 61076-2-104	60 V
Current rating: IEC 61076-2-104	3 A at 40°C
Insulation resistance: IEC 60512	>=100 MΩ
Pollution degree: IEC 60664-1	3/2
Degree of protection: IEC 60529	IP 67, in mated condition
Temperature range:	-30°C ... +80°C
Mating cycles: IEC 60512-9a	>=100

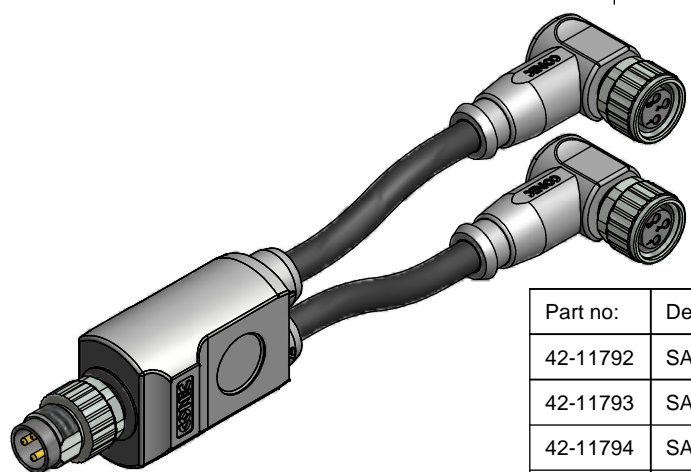
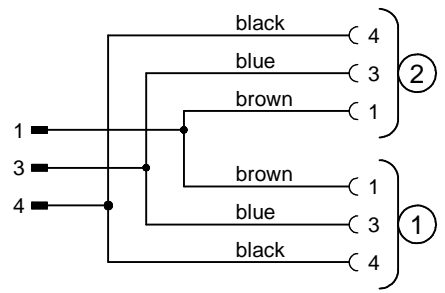
Materials:

Contact:	CuZn
Contact plating:	Nickel, gold plated
Contact carrier:	PA, UL 94
Coupling nut screw:	GD-Zn, nickel plated
Moulding body:	TPU, UL 94, grey

Installation specification:

Recommended torque:	0,4 Nm at width across flats 9
Conec installation tool:	Torque wrench: 36-000200 Insert across flats 9: 36-000210

Contact assignment:



Part no:	Description:	Length L:	Cable:
42-11792	SAL - 8 - DS3 - 2RKW3 - 0,3 / 0,3 / K1	0,3m	TPE, UL 20549, black, 3x0,25mm ² Cable: 781-K12300
42-11793	SAL - 8 - DS3 - 2RKW3 - 0,6 / 0,6 / K1	0,6m	
42-11794	SAL - 8 - DS3 - 2RKW3 - 1,5 / 1,5 / K1	1,5m	
42-11795	SAL - 8 - DS3 - 2RKW3 - 3 / 3 / K1	3,0m	
42-xxxx	SAL - 8 - DS3 - 2RKW3 - ... / ... / K1	x	

D see data sheet cable

DO NOT ALTER CAD DRAWING BY HAND Directive 2002/95/EC RoHS compliant	dim. in mm	title: Duo-distributor, male connector M8x1 axial - 2x female connector M8x1 angled					
	<table border="1" style="font-size: 8px;"> <tr> <td>date</td> <td>name</td> </tr> <tr> <td>drawn 25.10.12</td> <td>Fromm</td> </tr> <tr> <td>appd. 25.10.12</td> <td>Mankopf</td> </tr> </table>			date	name	drawn 25.10.12	Fromm
	date	name					
	drawn 25.10.12	Fromm					
	appd. 25.10.12	Mankopf					
tolerance of cable: $L \leq 4m: L + 40mm$ $L > 4m: L + 1\%$	dwg no: <div style="text-align: center; font-size: 16px; font-weight: bold;">42K1A421</div>						
general tolerance: $0 \pm 0,50mm$ $0,0 \pm 0,25mm$ $0,00 \pm 0,10mm$							
	part no: <div style="text-align: center; font-size: 16px; font-weight: bold;">see table</div>						
THIS DRAWING MAY NOT BE COPIED OR REPRODUCED IN ANY WAY, AND MAY NOT BE PASSED ON TO A THIRD PARTY WITHOUT WRITTEN PERMISSION. OWNERSHIP AND COPYRIGHT OF CONEC GmbH							