

Technical specification :

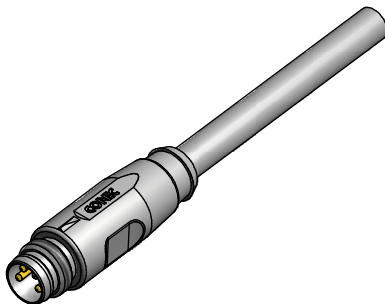
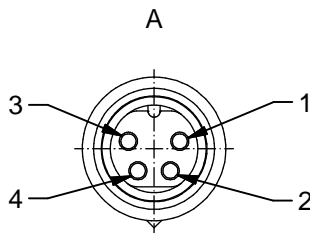
Rated voltage: IEC 61076-2-104	30 V
Current rating: IEC 61076-2-104	3 A at 40°C
Insulation resistance: IEC 60512	>=100 MΩ
Pollution degree: IEC 60664-1	3/2
Degree of protection: IEC 60529	IP 67, in mated condition
Temperature range: IEC 60664-1	-30°C ... +80°C
Mating cycles: IEC 60512-9a	>=100

Materials:

Contact:	CuZn
Contact plating:	Nickel, gold plated
Contact carrier:	TPU GF, UL 94
Connector housing:	CuZn, nickel plated
Moulding body:	TPU, UL 94, grey

Contact assignment:

1	—	brown
2	—	white
3	—	blue
4	—	black



Part no:	Description:	Length L:	Cable:
42-11195	SAL - 8 - RSFU4 - 0,5 / A1	0,5m	PVC, grey, 4x0,25mm ² Cable: 781-A12400
42-11196	SAL - 8 - RSFU4 - 1 / A1	1m	
42-11197	SAL - 8 - RSFU4 - 2 / A1	2m	
42-11198	SAL - 8 - RSFU4 - 3 / A1	3m	
42-xxxxx	SAL - 8 - RSFU4 - ... / A1	x	

D see data sheet cable

DO NOT ALTER CAD DRAWING BY HAND Directive 2002/95/EC RoHS compliant	Index: a 23.08.11 BCB Ä3941 data modified	dim. in mm		title: Male connector M8x1 axial screw / snap, thread fixed
		date	name	
	tolerance of cable: L ≤ 4m: L + 40mm L > 4m: L + 1%	drawn	21.09.10	Burschik
	general tolerance: 0 ± 0,50mm 0,0 ± 0,25mm 0,00 ± 0,10mm	appd.	21.09.10	Franz
THIS DRAWING MAY NOT BE COPIED OR REPRODUCED IN ANY WAY, AND MAY NOT BE PASSED ON TO A THIRD PARTY WITHOUT WRITTEN PERMISSION. OWNERSHIP AND COPYRIGHT OF CONEC GmbH				part no: see table