

**Technical specification :**

|                                     |                           |
|-------------------------------------|---------------------------|
| Rated voltage:<br>IEC 61076-2-104   | 30 V                      |
| Current rating:<br>IEC 61076-2-104  | 3 A at 40°C               |
| Insulation resistance:<br>IEC 60512 | >=100 MΩ                  |
| Pollution degree:<br>IEC 60664-1    | 3/2                       |
| Degree of protection:<br>IEC 60529  | IP 67, in mated condition |
| Temperature range:<br>IEC 60664-1   | -30°C ... +80°C           |
| Mating cycles:<br>IEC 60512-9a      | >=100                     |

**Materials:**

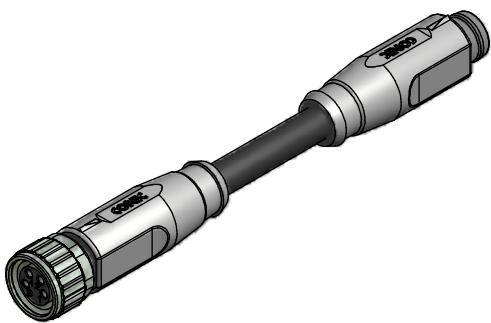
|                  |                      |
|------------------|----------------------|
| Contact:         | CuZn                 |
| Contact plating: | Nickel, gold plated  |
| Contact carrier: | TPU GF, UL 94        |
| Sealing:         | FPM                  |
| Coupling nut:    | GD-Zn, nickel plated |
| Moulding body:   | TPU, UL 94, grey     |

**Installation specification:**

|                          |  |
|--------------------------|--|
| Recommended torque:      | 0,4 Nm   |
| Conec installation tool: | Torque wrench:<br>36-000200<br>Insert across flats 9:<br>36-000210 |

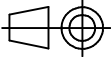

**Contact assignment:**

- 1) brown —
- 2) white —
- 3) blue —
- 4) black —



| Part no: | Description:                    | Length L: | Cable:   |
|----------|---------------------------------|-----------|--|
| 42-10839 | SAL - 8 - RK4 - RSS4 - 0,3 / K1 | 0,3m      | TPU, UL 20549, black, 4x0,25mm <sup>2</sup><br>Cable: 781-K12400 |
| 42-10840 | SAL - 8 - RK4 - RSS4 - 0,6 / K1 | 0,6m      |  |
| 42-10841 | SAL - 8 - RK4 - RSS4 - 1,5 / K1 | 1,5m      |  |
| 42-10842 | SAL - 8 - RK4 - RSS4 - 3 / K1   | 3,0m      |  |
| 42-xxxxx | SAL - 8 - RK4 - RSS4 - ... / K1 | x         |  |

D see data sheet cable

|   |                                     |  |  |  |  |  |      |      |       |          |       |       |          |
|---|-------------------------------------|--|--|--|--|--|------|------|-------|----------|-------|-------|----------|
| DO NOT ALTER CAD DRAWING BY HAND  | Directive 2002/95/EC RoHS compliant | Index: a 21.03.11 VF Ä3945<br>Coupling nut modified, spanner flats added,<br>data sheet modified |  dim. in mm | title:<br><b>Connecting cable,<br/>         female connector axial M8x1 -<br/>         male connector axial Ø8</b> |  |  |      |      |       |          |       |       |          |
|   |                                     | tolerance of cable: L ≤ 4m: L + 40mm<br>L > 4m: L + 1%   |  |  | <table border="1"> <tr> <td></td> <td>date</td> <td>name</td> </tr> <tr> <td>drawn</td> <td>27.10.09</td> <td>Fromm</td> </tr> <tr> <td>appd.</td> <td>27.10.09</td> <td>Mankopf</td> </tr> </table> |  | date | name | drawn | 27.10.09 | Fromm | appd. | 27.10.09 |
|   |                                     |  | date   |  | name   |  |      |      |       |          |       |       |          |
|   |                                     | drawn  | 27.10.09   |  | Fromm  |  |      |      |       |          |       |       |          |
| appd.   | 27.10.09                            | Mankopf  |  |  |  |  |      |      |       |          |       |       |          |
| THIS DRAWING MAY NOT BE COPIED OR REPRODUCED IN ANY WAY, AND MAY NOT BE PASSED ON TO A THIRD PARTY WITHOUT WRITTEN PERMISSION.<br>OWNERSHIP AND COPYRIGHT OF CONEC GmbH |                                     |               | dwg no:  |  |  |  |      |      |       |          |       |       |          |
|   |                                     |  | 42K1A175   |  |  |  |      |      |       |          |       |       |          |
|   |                                     |  | part no:   | see table  |  |  |      |      |       |          |       |       |          |