

**Technical specification :**

Rated voltage: IEC 61076-2-104	30 V
Current rating: IEC 61076-2-104	3 A at 40°C
Insulation resistance: IEC 60512	>=100 MΩ
Pollution degree: IEC 60664-1	3/2
Degree of protection: IEC 60529	IP 67, in mated condition
Temperature range: IEC 60664-1	-30°C ... +80°C
Mating cycles: IEC 60512-9a	>=100

**Materials:**

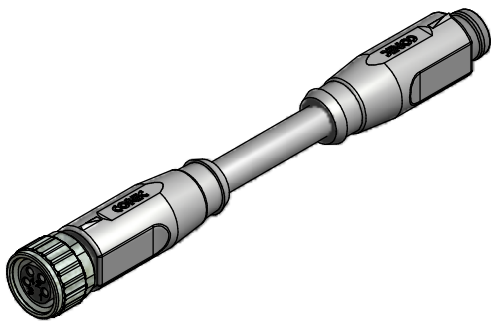
Contact:	CuZn
Contact plating:	Nickel, gold plated
Contact carrier:	TPU GF, UL 94
Sealing:	FPM
Coupling nut:	GD-Zn, nickel plated
Moulding body:	TPU, UL 94, grey

**Installation specification:**

Recommended torque:	0,4 Nm
Conec installation tool:	Torque wrench: 36-000200 Insert across flats 9: 36-000210

**Contact assignment:**

- 1) brown —■
- 2) white —■
- 3) blue —■
- 4) black —■



Part no:	Description:	Length L:	Cable:
42-10835	SAL - 8 - RK4 - RSS4 - 0,3 / A1	0,3m	PVC, grey, 4x0,25mm <sup>2</sup> Cable: 781-A12400
42-10836	SAL - 8 - RK4 - RSS4 - 0,6 / A1	0,6m	
42-10837	SAL - 8 - RK4 - RSS4 - 1,5 / A1	1,5m	
42-10838	SAL - 8 - RK4 - RSS4 - 3 / A1	3,0m	
42-xxxxx	SAL - 8 - RK4 - RSS4 - ... / A1	x	

D see data sheet cable

DO NOT ALTER CAD DRAWING BY HAND	Directive 2002/95/EC RoHS compliant	Index: a 21.03.11 VF Ä3945 Coupling nut modified, spanner flats added, data sheet modified	dim. in mm	title: <b>Connecting cable,          female connector axial M8x1 -          male connector axial Ø8</b>						
		tolerance of cable: L ≤ 4m: L + 40mm L > 4m: L + 1%			<table border="1"> <tr> <td>date</td> <td>name</td> </tr> <tr> <td>drawn 27.10.09</td> <td>Fromm</td> </tr> <tr> <td>appd. 27.10.09</td> <td>Mankopf</td> </tr> </table>	date	name	drawn 27.10.09	Fromm	appd. 27.10.09
		date	name							
		drawn 27.10.09	Fromm							
appd. 27.10.09	Mankopf									
THIS DRAWING MAY NOT BE COPIED OR REPRODUCED IN ANY WAY, AND MAY NOT BE PASSED ON TO A THIRD PARTY WITHOUT WRITTEN PERMISSION. OWNERSHIP AND COPYRIGHT OF CONEC GmbH			dwg no:	42K1A174						
			part no:	see table						