

Technical specification:

Rated voltage: 50 V AC / 60 V DC
IEC 61076-2-104

Current rating: 4 A at 40°C
IEC 61076-2-104

Insulation resistance: >=100 MΩ
IEC 60512

Pollution degree: 3
IEC 60664-1

Degree of protection: IP 67, in mated condition
IEC 60529

Temperature range: -25°C ... +95°C
EN 60512-11-10
-40°C ... +85°C
EN 60512-11-4

Mating cycles: >=100
IEC 60512-9a

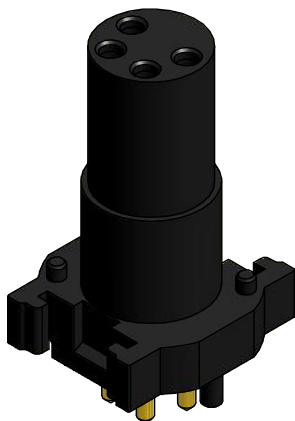
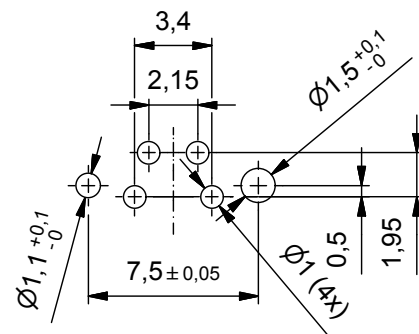
Materials:

Contact: CuZn, Ni b / Au 0,2 gal.

Contact carrier: LCP GF, UL 94 V-0

Suitable for reflow soldering
max. 60s / 250°C

Layout proposal



Part no. packing unit Tape & Reel:	Part no. packing unit in bulk:	Description:	Pos
42-01393TR	42-01393	SAL - 8 - IK4 / THR	4

DO NOT ALTER CAD DRAWING BY HAND RoHS & REACH compliant	Index: b 25.04.16 CS Ä6101 Change of tolerance in mating face	
	general tolerance:	
	0	± 0,50mm
	0,0	± 0,25mm
	0,00	± 0,10mm
	*	± 5°
THIS DRAWING MAY NOT BE COPIED OR REPRODUCED IN ANY WAY, AND MAY NOT BE PASSED ON TO A THIRD PARTY WITHOUT WRITTEN PERMISSION. OWNERSHIP AND COPYRIGHT OF CONEC GmbH		

dim. in mm	
date	name
drawn 18.03.15	Gitinow
appd. 20.03.15	Schramm
CONEC ®	

title: Insulating body female M8x1 THR	
dwg no: 42K1A919	
part no: see table	