

Technical specification:

Rated voltage: 50 V AC / 60 V DC
IEC 61076-2-104

Current rating: 4 A at 40°C
IEC 61076-2-104

Insulation resistance: >=100 MΩ
IEC 60512

Pollution degree: 3
IEC 60664-1

Degree of protection: IP 67, in mated condition
IEC 60529

Temperature range: -25°C ... +95°C
EN 60512-11-10
-40°C ... +85°C
EN 60512-11-4

Mating cycles: >=100
IEC 60512-9a

Materials:

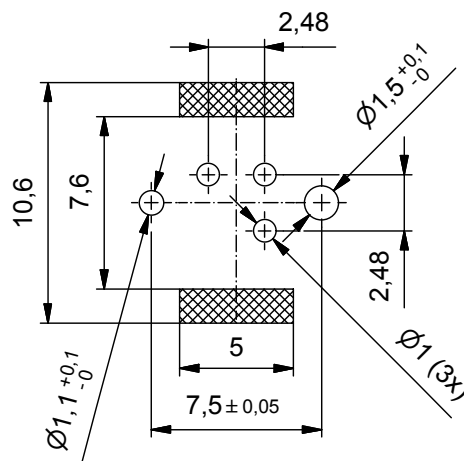
Contact: CuZn, Ni b / Au 0,2 gal.

Contact carrier: LCP GF, UL 94 V-0

Shroud: CuSn, nickel / sel. tin plated

Suitable for reflow soldering
max. 60s / 250°C

Layout proposal



Part no. packing unit Tape & Reel:	Part no. packing unit in bulk:	Description:	Pos
42-01392TR	42-01392	SAL - 8S - IS3 / THR	3

DO NOT ALTER CAD DRAWING BY HAND RoHS & REACH compliant	Index: b 25.04.16 CS Ä6101 Change of tolerance in mating face	dim. in mm	
	drawn 19.03.15	date	name
	appd. 19.03.15	date	name
general tolerance:	0 ± 0,50mm 0,0 ± 0,25mm 0,00 ± 0,10mm * ± 5°		
THIS DRAWING MAY NOT BE COPIED OR REPRODUCED IN ANY WAY, AND MAY NOT BE PASSED ON TO A THIRD PARTY WITHOUT WRITTEN PERMISSION. OWNERSHIP AND COPYRIGHT OF CONEC GmbH			

dim. in mm

date name

drawn 19.03.15 Gitinow

appd. 19.03.15 Schramm

CONEC®

title: Insulating body male M8x1 THR, shielded
dwg no: 42K1A918
part no: see table