

Technical specification:

Rated voltage: 30 V AC / 30 V DC
IEC 61076-2-104

Current rating: 3 A at 40°C
IEC 61076-2-104

Insulation resistance: >=100 MΩ
IEC 60512

Pollution degree: 3/2
IEC 60664-1

Degree of protection: IP 67, in mated condition
IEC 60529

Temperature range: -25°C ... +95°C
EN 60512-11-10
-40°C ... +85°C
EN 60512-11-4

Mating cycles: >=100
IEC 60512-9a

Materials:

Contact: CuZn, Ni b / Au 0,2 gal.

Contact carrier: LCP GF, UL 94 V-0

Shroud: CuSn, nickel /sel. tin plated

Sealing: FPM, NBR

Socket housing: CuZn, Ni

Suitable for reflow soldering
max. 60s / 250°C

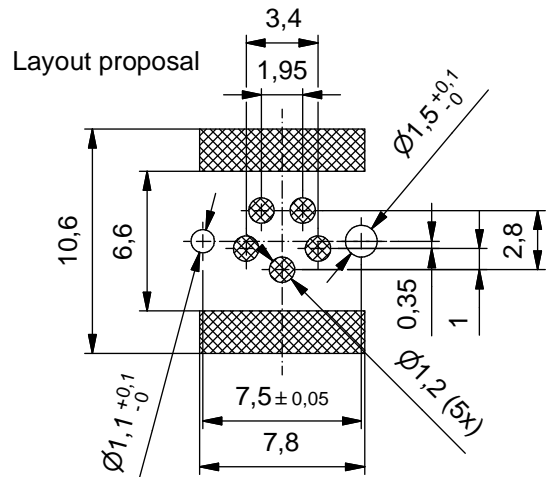
Coplanarity of all contacts and soldering sheets max 0,1mm

Installation specification:

Recommended torque: 1-1,2 Nm

Conec installation tool: Torque wrench: 36-000200
Insert across flats 13: 36-000220

Installation hole: See fig.1 42K1A1119



Part no. packing unit Tape & Reel:	Part no. packing unit in bulk:	Description:	Pos
42-01265TR	42-01265	SAL - 8S - FK5 - X9 / SMT	5

DO NOT ALTER CAD DRAWING BY HAND RoHS & REACH compliant	Index: a 07.04.16 KH Ä6018 Marking in mating face removed, contact carrier: material information extended, counter nut removed	dim. in mm	title: Female socket M8x1 SMT, shielded, frontmounting
		date name	
		drawn 09.03.15 Gitinow	dwg no:
		appd. 17.03.15 Schramm	42K1A791
general tolerance:	0 ± 0,50mm 0,0 ± 0,25mm 0,00 ± 0,10mm x ± 5°	CONEC®	part no: see table
THIS DRAWING MAY NOT BE COPIED OR REPRODUCED IN ANY WAY, AND MAY NOT BE PASSED ON TO A THIRD PARTY WITHOUT WRITTEN PERMISSION. OWNERSHIP AND COPYRIGHT OF CONEC GmbH			