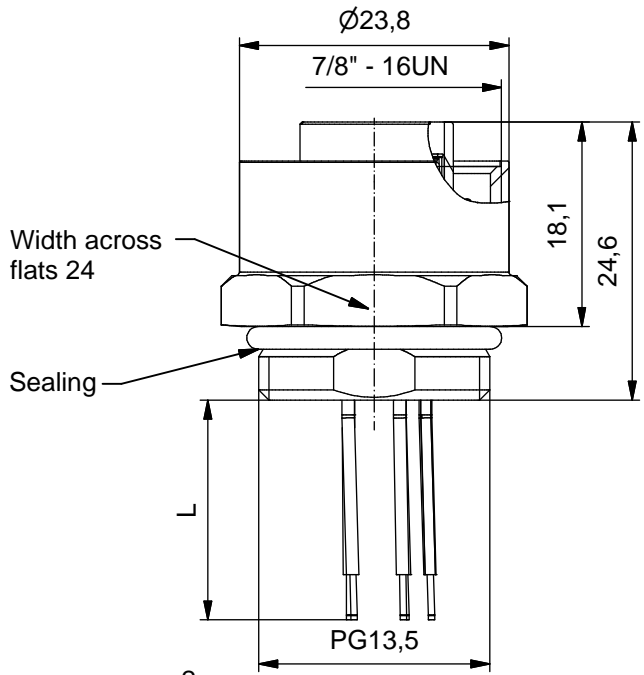




A ↓

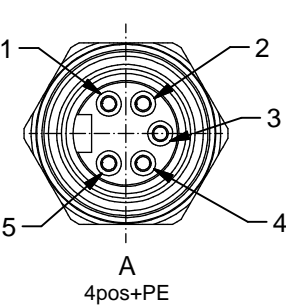
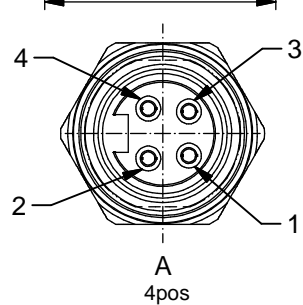
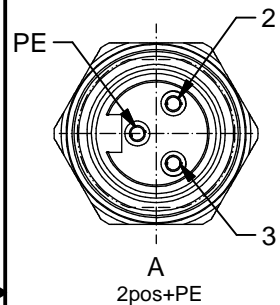


Technical specification:

Rated voltage: IEC 60664-1	300 V
Overvoltage category: IEC 60664-1	2
Overvoltage: IEC 60664-1	2,7 kV
Current rating: IEC 60512-3 at 40°C	AWG 18 8 A AWG 16 12 A
Insulation resistance: IEC 60512	>=100 MΩ
Pollution degree: IEC 60664-1	3/2
Degree of protection: IEC 60529	IP 67, in mated condition
Temperature range: IEC 60664-1	-30°C ... +75°C
Mating cycles: IEC 60512-9a	>=100
Termination:	crimped

Materials:

Contact:	CuZn
Contact plating:	Nickel, gold plated
Contact carrier:	TPU, UL 94
Sealing:	FPM
Socket housing:	CuZn, nickel plated
Grouting:	Polyurethane-resin, UL 94



Contact assignment:

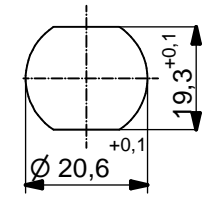
- PE) green-yellow
- 2) brown
- 3) blue

Contact assignment:

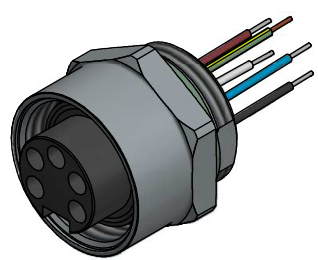
- 1) brown
- 2) white
- 3) blue
- 4) black

Contact assignment:

- 1) black
- 2) blue
- PE) green-yellow
- 4) brown
- 5) white



Minimum wall thickness 2,5mm, alternativ panel cut-out d=20,6



Part no:	Description:	Pos	Length L:	Wire:
41-40006	SAL - 7/8 - FK2PE - 0,5	3	0,5m	AWG 18 PVC, UL
41-40007	SAL - 7/8 - FK4 - 0,5	4	0,5m	
41-40008	SAL - 7/8 - FK4PE - 0,5	5	0,5m	
41-xxxxx	SAL - 7/8 - FK... - ...	x	x	
41-40015	SAL - 7/8 - FK2PE - 0,5 / 150	3	0,5m	AWG 16 PVC, UL
41-40016	SAL - 7/8 - FK4 - 0,5 / 150	4	0,5m	
41-40017	SAL - 7/8 - FK4PE - 0,5 / 150	5	0,5m	
41-xxxxx	SAL - 7/8 - FK... - ... / 150	x	x	

DO NOT ALTER CAD DRAWING BY HAND Directive 2002/95/EC RoHS compliant	Index: e 18.10.11 fro Ä4130 Temperatur changed	dim. in mm	title: Female Socket 7/8" with wires, frontmounting		
		date name			
	tolerance of wire: L <= 0,5m: L + 20mm L > 0,5m: L + 4%	drawn 20.02.07 Fromm	appd. 10.11.08 W.Schmidt	dwg no: 41K1A374	
	general tolerance: 0 ± 0,50mm 0,0 ± 0,25mm 0,00 ± 0,10mm	CONEC®			
THIS DRAWING MAY NOT BE COPIED OR REPRODUCED IN ANY WAY, AND MAY NOT BE PASSED ON TO A THIRD PARTY WITHOUT WRITTEN PERMISSION. OWNERSHIP AND COPYRIGHT OF CONEC GmbH					

