

**Technical specification:**

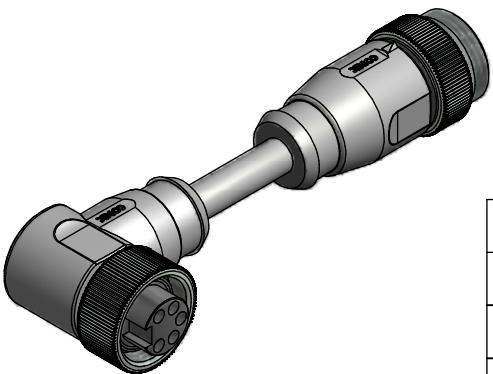
Rated voltage: IEC 60664-1	300 V
Overvoltage category: IEC 60664-1	2
Overvoltage: IEC 60664-1	2,7 kV
Current rating: IEC 60512-3 at 40°C	16A
Insulation resistance: IEC 60512	>=100 MΩ
Pollution degree: IEC 60664-1	3/2
Degree of protection: IEC 60529	IP 68, in mated condition
Temperature range:	-30°C ... +80°C
Mating cycles: IEC 60512-9a	>=100
Termination:	crimped

**Materials:**

Contact:	CuZn
Contact plating:	Nickel, gold plated
Contact carrier:	TPU, UL 94
Coupling nut/ screw:	CuZn, nickel plated
Moulding body:	TPU, UL 94, grey

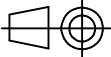

**Contact assignment:**

- 1) black
- 2) blue
- PE) green-yellow
- 4) brown
- 5) white



Part no:	Description:	Length L:	Cable:
41-01716	SAL - 7/8 - RKW4PE - RS4PE - 0,6 / A6 / 250	0,6m	PVC, UL 20207, grey, 5x2,5mm <sup>2</sup> , Kabel: 781-A69500
41-01717	SAL - 7/8 - RKW4PE - RS4PE - 1 / A6 / 250	1m	
41-01718	SAL - 7/8 - RKW4PE - RS4PE - 1,5 / A6 / 250	1,5m	
41-01719	SAL - 7/8 - RKW4PE - RS4PE - 2 / A6 / 250	2m	
41-xxxxx	SAL - 7/8 - RKW4PE - RS4PE - ... / A6 / 250	x	

D see data sheet cable

DO NOT ALTER CAD DRAWING BY HAND Directive 2011/65/EU RoHS compliant	 dim. in mm		title: <b>Connecting cable 7/8", female connector angled - male connector axial</b>									
	<table border="1" style="width: 100%;"> <tr> <td></td> <td>date</td> <td>name</td> </tr> <tr> <td>drawn</td> <td>15.09.14</td> <td>Böckeler</td> </tr> <tr> <td>appd.</td> <td>15.09.14</td> <td>Mankopf</td> </tr> </table>				date	name	drawn	15.09.14	Böckeler	appd.	15.09.14	Mankopf
		date	name									
	drawn	15.09.14	Böckeler									
appd.	15.09.14	Mankopf										
tolerance of cable: L <= 4m: L + 40mm L > 4m: L + 1%		part no: <b>see table</b>										
general tolerance: 0 ± 0,50mm 0,0 ± 0,25mm 0,00 ± 0,10mm												
THIS DRAWING MAY NOT BE COPIED OR REPRODUCED IN ANY WAY, AND MAY NOT BE PASSED ON TO A THIRD PARTY WITHOUT WRITTEN PERMISSION. OWNERSHIP AND COPYRIGHT OF CONEC GmbH												