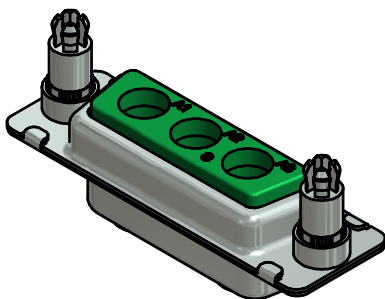
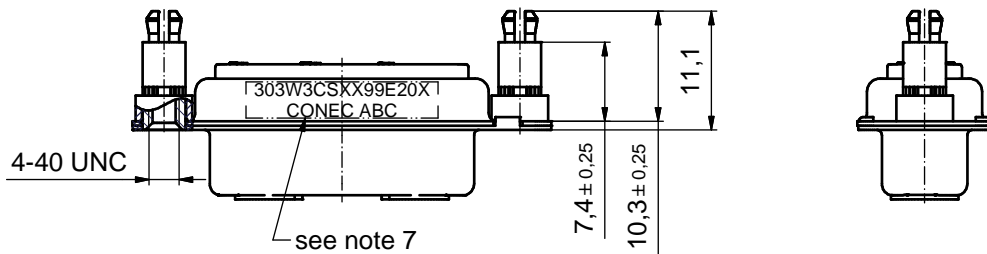
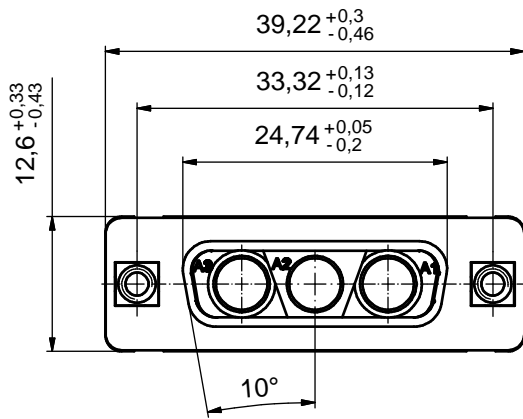
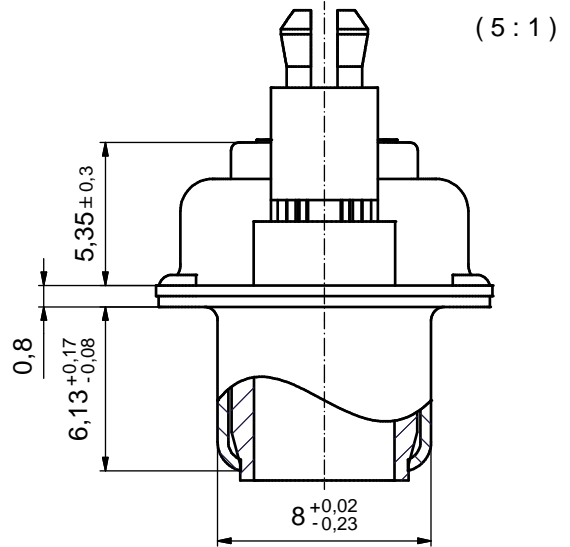


P.C.B. HOLE DRILLINGS
(P.C.B. TOP SIDE)



NOTES:

- METALSHELLS: STEEL; min. 315µm TIN over 40-80µm NICKEL
- INSULATOR: PBT GF UL 94 V-0, GREEN
- NO CONTACTS ON POS. A1 - A3
- THREADED SPACER CLIPS: COPPER ALLOY; min. 200µm TIN over 80µm NICKEL
PCB-HOLE: $\varnothing 3,1 \pm 0,1$ mm; PCB-THICKNESS: 1,6mm
- COLLARS: COPPER ALLOY; min. 200µm TIN over 80µm NICKEL
- MAXIMUM TORQUE VALUE FOR THREAD: 6 in.LB
- CONNECTOR IS PART MARKED: 303W3CSXX99E20X CONEC ABC

Directive 2002/95/EC RoHS compliant

| | | | | | |
|---|----------------|--------------|--------------------------|---------------------------|--------|
| THIS DRAWING MAY NOT BE COPIED OR REPRODUCED IN ANY WAY, AND MAY NOT BE PASSED ON TO A THIRD PARTY WITHOUT WRITTEN PERMISSION. OWNERSHIP AND COPYRIGHT OF CONEC GmbH DO NOT ALTER CAD DRAWING BY HAND | tolerance | | dim. in mm | scale: 2:1 (5:1) | |
| | | | | material: SEE NOTES | |
| | date | name | | title: | |
| | drawn 12.11.13 | Schmidt | | D-SUB COMBINATION FEMALE | |
| | appd. 12.11.13 | Lehmenkühler | | 3W3CS | |
| | norm | | | with threaded spacer clip | |
| | d-old | | | dwg no: | |
| a Original | | | 13K1A4516 | | DIN-A3 |
| rev. description date name | | | part no: 303W3CSXX99E20X | | sh: 1 |