

Technical specification/

Technische Daten:

Dielectric withstanding voltage/ Spannungsfestigkeit:	1000 V, 50 Hz 1 min.
Current rating/ Strombelastbarkeit:	Signal contact 7,5 A (UL), Signalkontakt 5 A (CSA, VDE)
Insulation resistance/ Isolationswiderstand:	≥ 5 GΩ
Temperature range/ Temperaturbereich:	- 55 °C ... + 125 °C
Mating cycles/ Steckzyklen:	Quality class 3 = 50 Gütestufe 3

Materials/

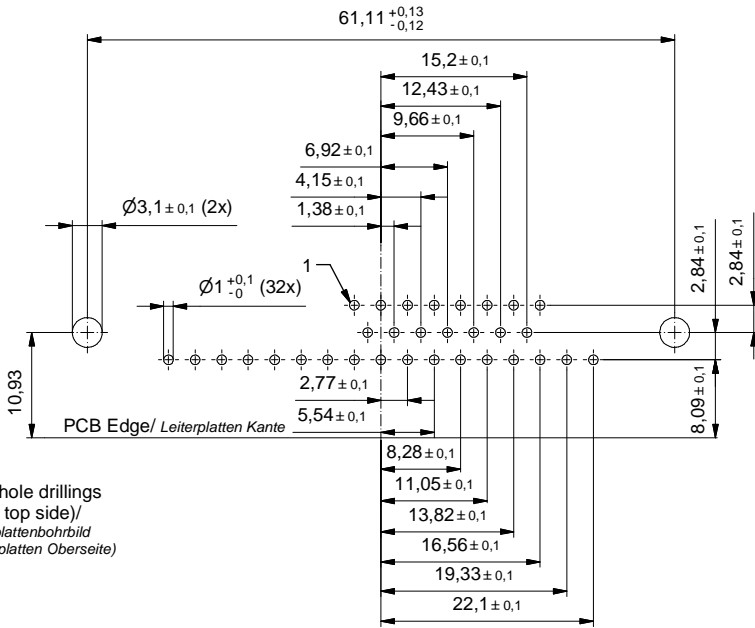
Werkstoffe:

Signal contact/ Signalkontakt:	Cu alloy, Au over Ni
Insulator/ Isolierkörper:	PBT GF UL 94 V-0, green/grün
Shell/ Gehäuse:	Steel, Sn over Ni
Metal bracket/ Metallwinkel:	GD-Zn, Sn over Ni
Threaded front lock/ Gewinde-Abstandsbolzen:	Cu alloy, Sn over Ni
PCB-Snap/ PCB-Clip:	Cu alloy, Tin over Ni

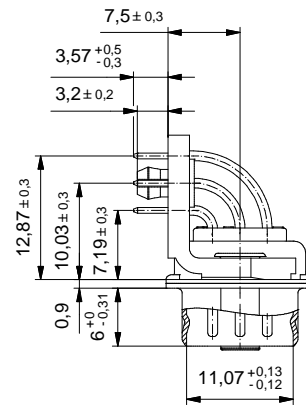
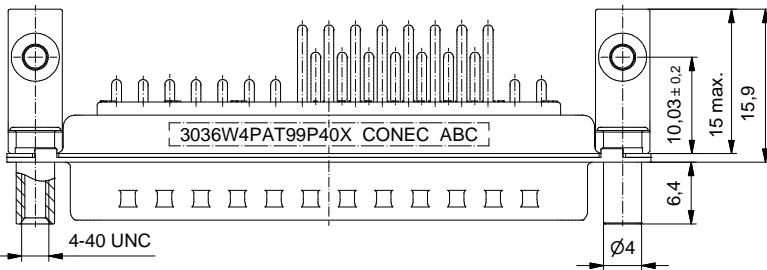
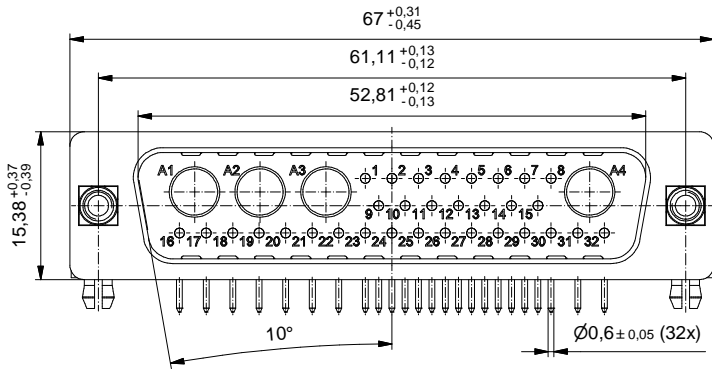
Installation specification/

Montagedaten:

Recommended torque value for thread/ empfohlenes Drehmoment für Gewinde:	max. 6 in.LB/ max. 67 Ncm
PCB clip for hole diameter/ PCB Clip für Lochdurchmesser:	Ø 3,1 mm
Circuit board thickness/ Leiterplattenstärke:	1,6 mm



PCB hole drillings (PCB top side)/ Leiterplattenbohrbild (Leiterplatten Oberseite)



Part no. / Part marked/ Art.-Nr. / Bedruckung:	3036W4PAT99P40X	Contact plating/ Kontakt Veredelung:	Signal contact/ Signalkontakt:	gold flash over nickel/ Gold über Nickel	
		No contact on pos. A1 - A4/ Kein Kontakt an Pos. A1 - A4:			
Index:	a Original	Scale/ Maßstab:	2:1		
Status:	InBearbeitung	dwg no / Z.-nr.:			13K1A5739
RoHS compliant/ konform		DIN-A3			1 / 1

D-SUB Combination Male 90° 36W4P
with threaded front lock, metal bracket, PCB-Snap
D-SUB Combination Stiftleiste 90° 36W4P
mit Gewinde-Abstandsbolzen, Metallwinkel, PCB-Clip

The reproduction, distribution and utilization of this document as well as the communication of its contents to third parties without express authorization is prohibited. Offenders will be held liable for the payment of damages. We reserve the right to withdraw advertising and notices, even if they have already been published. Zuerstveröffentlichung im September 2019. © 2019 CONEC AG