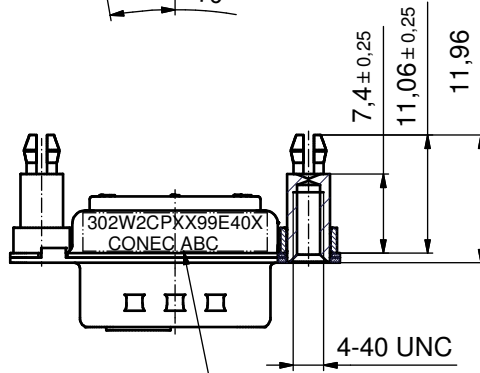
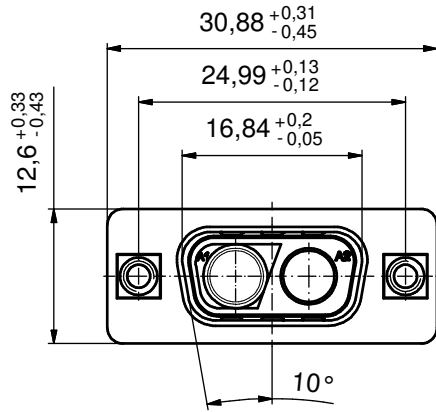
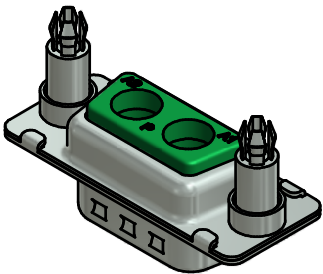
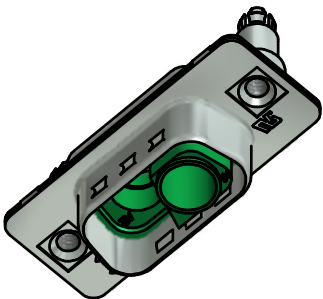
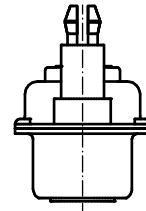
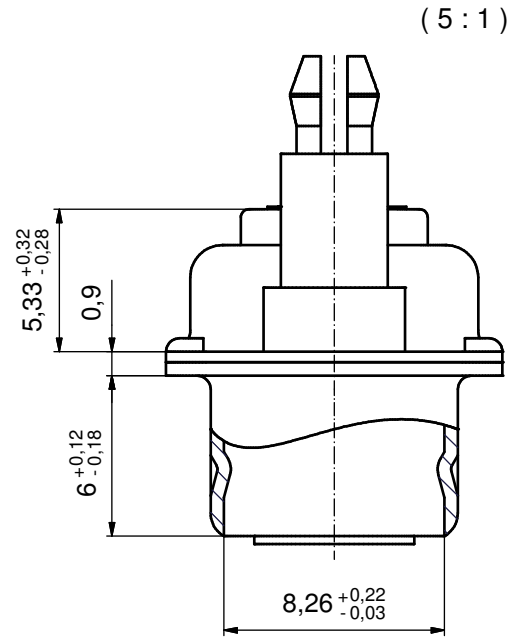


P.C.B. HOLE DRILLINGS
(P.C.B. TOP SIDE)



SEE NOTE 7



NOTES:

1. METALSHELLS: STEEL; min. 315µm TIN OVER 40-80µm NICKEL
2. INSULATORS: PBT GF UL 94 V-0, GREEN
3. NO CONTACTS ON POS. A1 - A2
4. THREADED SPACER CILPS: COPPER ALLOY; min. 200µm TIN OVER 80µm NICKEL
PCB-HOLE: $\varnothing 3.1 \pm 0.1$; PCB THICHNESS 2,3mm
5. COLLARS: COPPER ALLOY; min. 200µm TIN OVER 80µm NICKEL
6. MAXIMUM TORQUE VALUE FOR THREAD: 6 in.LB
7. CONNECTOR IS PART MARKED: **302W2CPXX99E40X CONEC ABC**

Directive 2002/95/EC RoHS compliant

THIS DRAWING MAY NOT BE COPIED OR REPRODUCED IN ANY WAY, AND MAY NOT BE PASSED ON TO A THIRD PARTY WITHOUT WRITTEN PERMISSION. OWNERSHIP AND COPYRIGHT OF CONEC GmbH DO NOT ALTER CAD DRAWING BY HAND	tolerance		dim. in mm	scale: 2:1 (5:1)	
				material: SEE NOTES	
	date	name		title: D-SUB COMBINATION Male 2W2CP with threadedde spacer clip	
	drawn 13.02.2012	Henneboel			
	appd. 13.02.2012	Koch			
	norm	d-old		dwg no:	
	a Original			13K1A3897	
rev. description date name	part no: 302W2CPXX99E40X				
				DIN-A3	
				sh: 1	