

NOTES:

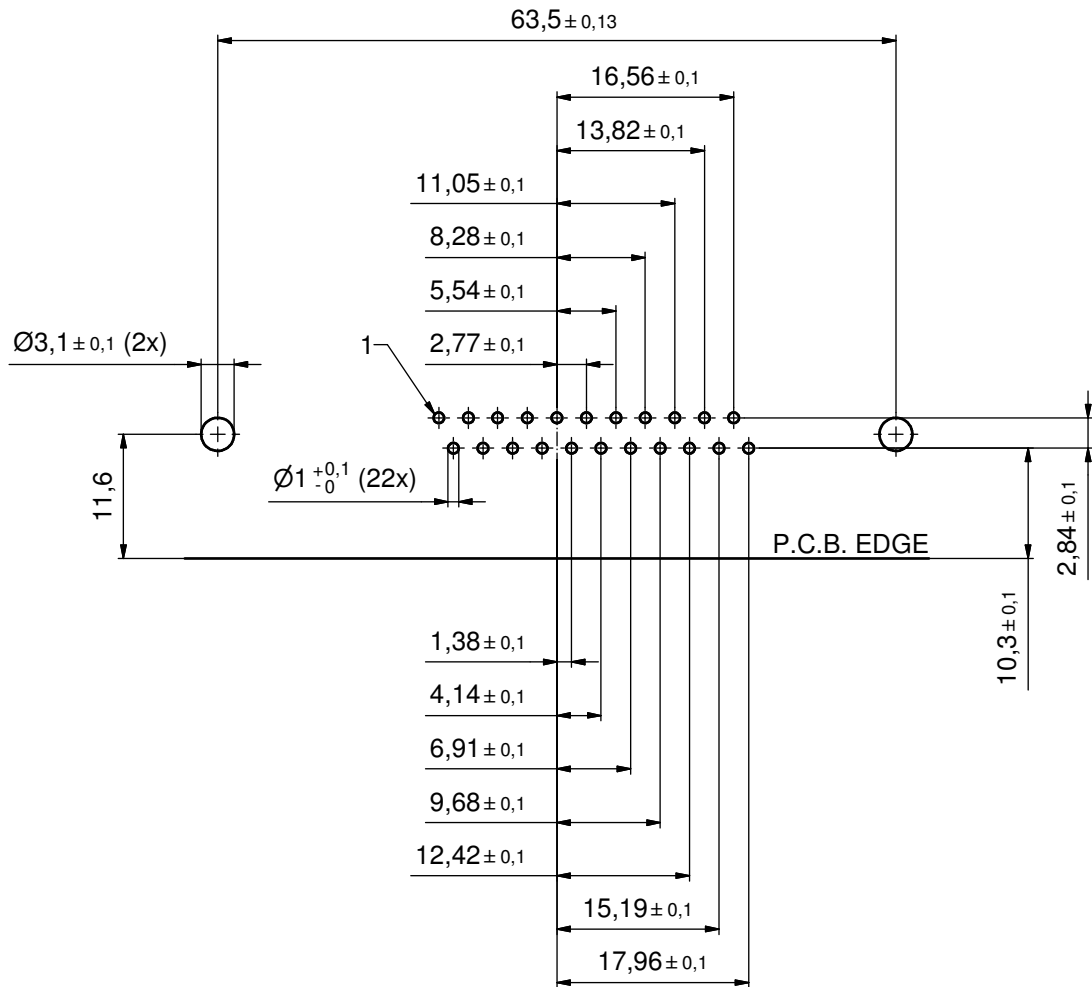
1. METALSHELLS: STEEL; min. 315µm TIN over 40-80µm NICKEL
2. INSULATORS: PBT GF UL 94 V-0; GREEN
3. SIGNAL CONTACTS: COPPER ALLOY
PLATING: GOLD FLASH over NICKEL
4. NO CONTACTS ON POS. A1 - A3
5. METAL BRACKETS: ZINC DIE CAST; 300µm COPPER / 40-120µm NICKEL / 120-200µm TIN
6. THREADED INSERTS: COPPER ALLOY; min. 200µm TIN over 80µm NICKEL
7. P.C.B. HOLE DRILLINGS ON SHEET 2
8. MAXIMUM TORQUE VALUE FOR THREAD: 6 in.LB
9. CONNECTOR IS PART MARKED: 3025W3PAU99G20X CONEC ABC

Directive 2002/95/EC RoHS compliant

| | | | | | |
|---|----------------|--------------------------|--|---------------------|---------|
| THIS DRAWING MAY NOT BE COPIED OR REPRODUCED IN ANY WAY, AND MAY NOT BE PASSED ON TO A THIRD PARTY WITHOUT WRITTEN PERMISSION. OWNERSHIP AND COPYRIGHT OF CONEC GmbH DO NOT ALTER CAD DRAWING BY HAND | tolerance | | dim. in mm | scale: 2:1 (5:1) | |
| | | | | material: SEE NOTES | |
| | date | name | title: D-SUB COMBINATION MALE 25W3P with threaded insert and metal bracket | | |
| | drawn 27.02.12 | Henneboel | | | |
| | appd. 27.02.12 | Koch | | | |
| | norm | | dwg no: | | DIN-A3 |
| | d-old | | 13K1A3912 | | sh: 1/2 |
| a Original | | part no: 3025W3PAU99G20X | | | |
| rev. | description | date | name | | |

P.C.P. HOLE DRILLINGS

(P.C.B. TOP SIDE)



| | | | | | | | | |
|--|------|-------------|------|-----------|----------------|------------|---|----------------------|
| THIS DRAWING MAY NOT BE COPIED OR REPRODUCED IN ANY WAY, AND MAY NOT BE PASSED ON TO A THIRD PARTY WITHOUT WRITTEN PERMISSION. OWNERSHIP AND COPYRIGHT OF CONEC GmbH DO NOT ALTER CAD DRAWING BY HAND | | | | tolerance | dim. in mm | scale: 2:1 | | |
| | | | | date | | name | material: SEE SHEET 1 | |
| | | | | drawn | 27.02.12 | Henneboel | title: P.C.B. HOLE DRILLINGS D-SUB COMBINATION FEMALE 25W3 with threaded insert and metal bracket | |
| | | | | appd. | 27.02.12 | Koch | | |
| | | | | norm | | | | |
| | | | | d-old | | | | |
| | a | Original | | | | | dwg no: 13K1A3912 | DIN-A3 |
| | rev. | description | date | | | | name | part no: SEE SHEET 1 |