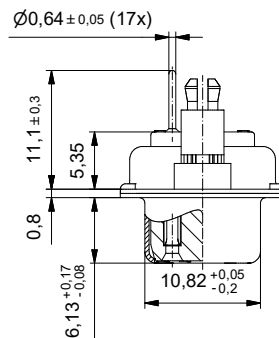
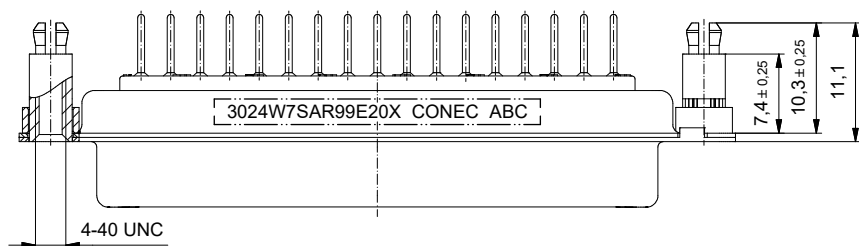
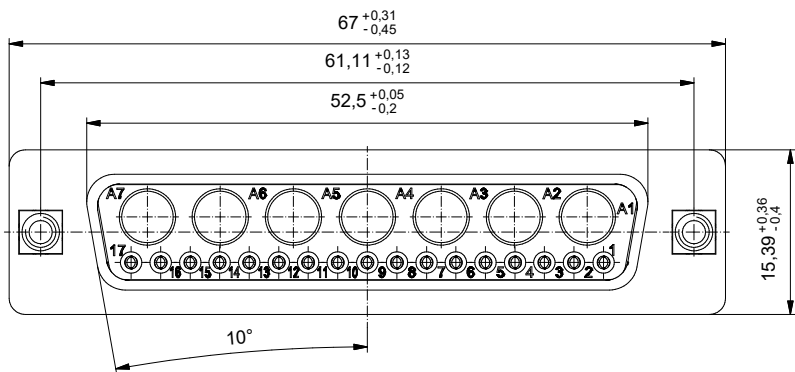
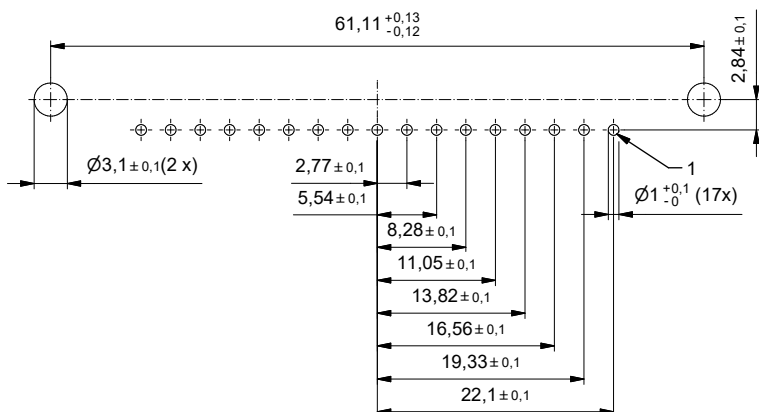


PCB hole drillings
(PCB top side)
Leiterplattenbohrbild
(Leiterplatten Oberseite)

Threaded rear spacer clip/
Gewinde-Abstandsbolzen-Clip



Technical specification/

Technische Daten:

Dielectric withstanding voltage/ Spannungsfestigkeit:	1000 V, 50 Hz 1 min.
Current rating/ Strombelastbarkeit:	Signal contact/ 7,5 A (UL) Signalkontakt: 5 A (CSA,VDE)
Insulation resistance/ Isolationswiderstand:	≥ 5 GΩ
Temperature range/ Temperaturbereich:	- 55 °C ... + 125 °C
Mating cycles/ Steckzyklen:	Quality class 3 = 50 Gütestufe 3

Materials/

Werkstoffe:

Signal contact/ Signalkontakt:	Cu alloy, Au over Ni
Insulator/ Isolierkörper:	PBT GF UL 94 V-0, green/grün
Shell/ Gehäuse:	Steel, Sn over Ni
Threaded rear spacer clip/ Gewinde-Abstandsbolzen-Clip:	Cu alloy, Sn over Ni
Collar/ Scheibe:	Cu alloy, Sn over Ni

Installation specification/

Montagedaten:

Recommended torque value for thread/ Empfohlenes Drehmoment für Gewinde:	max. 6 in.LB/ max. 67 Ncm
PCB snap for hole diameter/ PCB Clip für Lochdurchmesser:	Ø3,1 mm
Circuit board thickness/ Leiterplattenstärke:	1,6 mm

Part no. / Part marked/ Art.-Nr. / Bedruckung:	3024W7SAR99E20X	Contact plating/ Kontakt Veredelung:	gold flash over nickel Gold über Nickel
		Signal contact/ Signalkontakt:	No contact on pos. A1 - A7/ Kein Kontakt an Pos. A1 - A7
Index:	a Original	Scale/ Maßstab:	2:1
Status:	InBearbeitung		
RoHS compliant/ konform			
		dim. in mm	D-SUB Combination Female 24W7S with threaded rear spacer clip D-SUB Combination Buchsenleiste 24W7S mit Gewinde-Abstandsbolzen-Clip
		Date/ Datum	17.10.2019
		Name	ABU
		drawn/ gezeichnet	17.10.2019
		appd./ gezeichnet	LehmenKühler
		dwg no / Z.-nr.:	13K1A5942
		DIN-	A3
			1 / 1

This reproduction, distribution and utilization of this document as well as the communication of its contents to others without express authorization is prohibited. Offenders will be held liable for the payment of damages. For further information on our legal notices please refer to our privacy policy (www.conec.com/privacy-policy) and our terms of use (www.conec.com/terms-of-use).