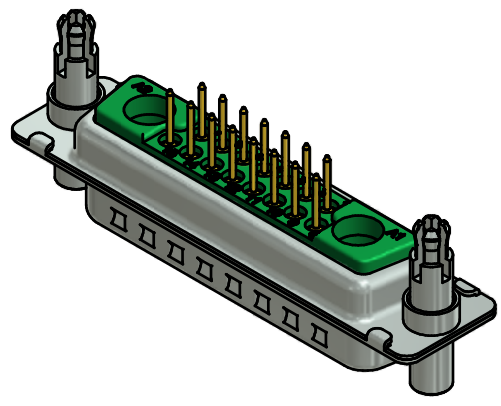
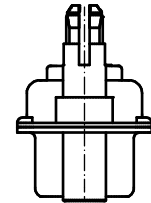
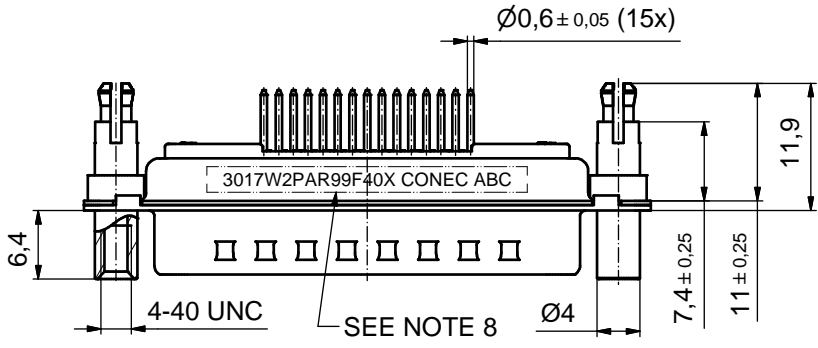
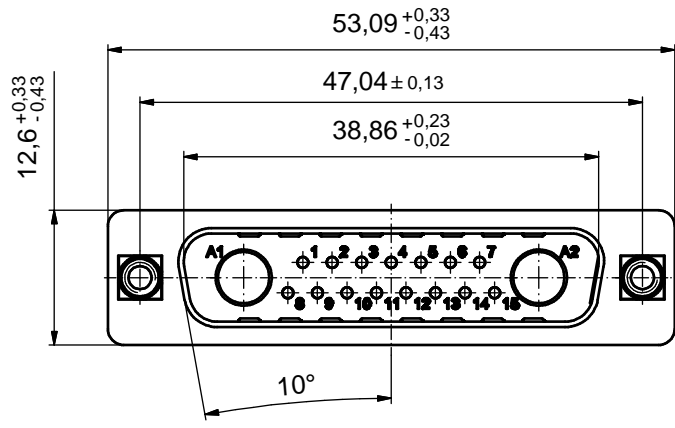
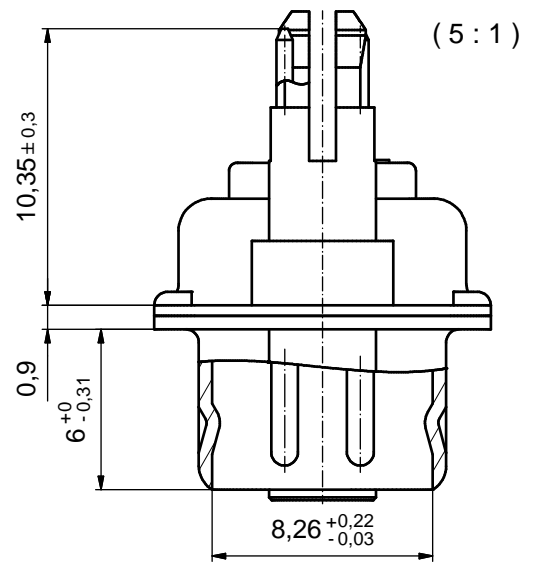


P.C.B. HOLE DRILLINGS  
(PCB TOP SIDE)



NOTES:

- METALSHELLS: STEEL; min. 315µm TIN over 40-80µm NICKEL
- INSULATORS: PBT GF UL 94 V-0; GREEN
- SIGNAL CONTACTS: COPPER ALLOY  
PLATING: GOLD FLASH over NICKEL
- NO CONTACTS ON POS. A1 - A2
- THREADED LOCKS AND SPACER CLIPS: COPPER ALLOY; min. 200µm TIN over 80µm NICKEL  
PCB-HOLE:  $\phi 3.1 \pm 0.1$ ; PCB THICKNESS 2,3mm
- COLLARS: COPPER ALLOY; min. 200µm TIN over 80µm NICKEL
- MAXIMUM TORQUE VALUE FOR THREAD: 6 in.LB
- CONNECTOR IS PART MARKED: 3017W2PAR99F40X CONEC ABC

Directive 2002/95/EC RoHS compliant

THIS DRAWING MAY NOT BE COPIED OR REPRODUCED IN ANY WAY, AND MAY NOT BE PASSED ON TO A THIRD PARTY WITHOUT WRITTEN PERMISSION. OWNERSHIP AND COPYRIGHT OF CONEC GmbH DO NOT ALTER CAD DRAWING BY HAND	tolerance		dim. in mm	scale: 2:1 (5:1)	
				material: see notes	
	date	name	title: <b>D-SUB COMBINATION MALE</b> 17W2P with threaded lock and spacer clip		
	drawn 25.09.2014	Heinrich			
	appd. 25.09.2014	Lehmenkühler			
norm		dwg no:		DIN-A3	
d-old		13K1A4781		sh: 1	
a Original		part no: 3017W2PAR99F40X			
rev. description	date	name			