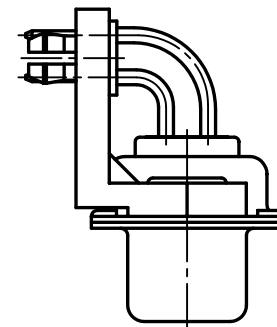
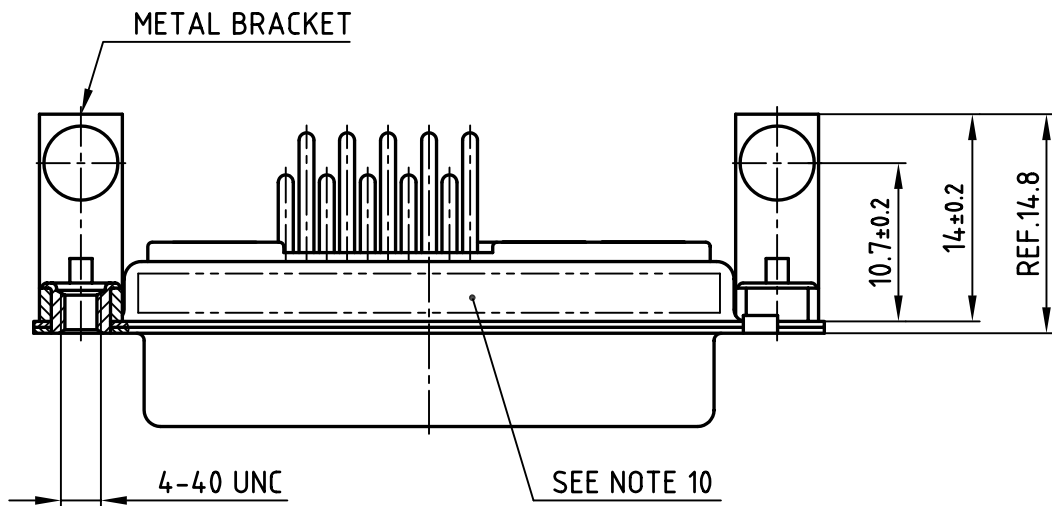
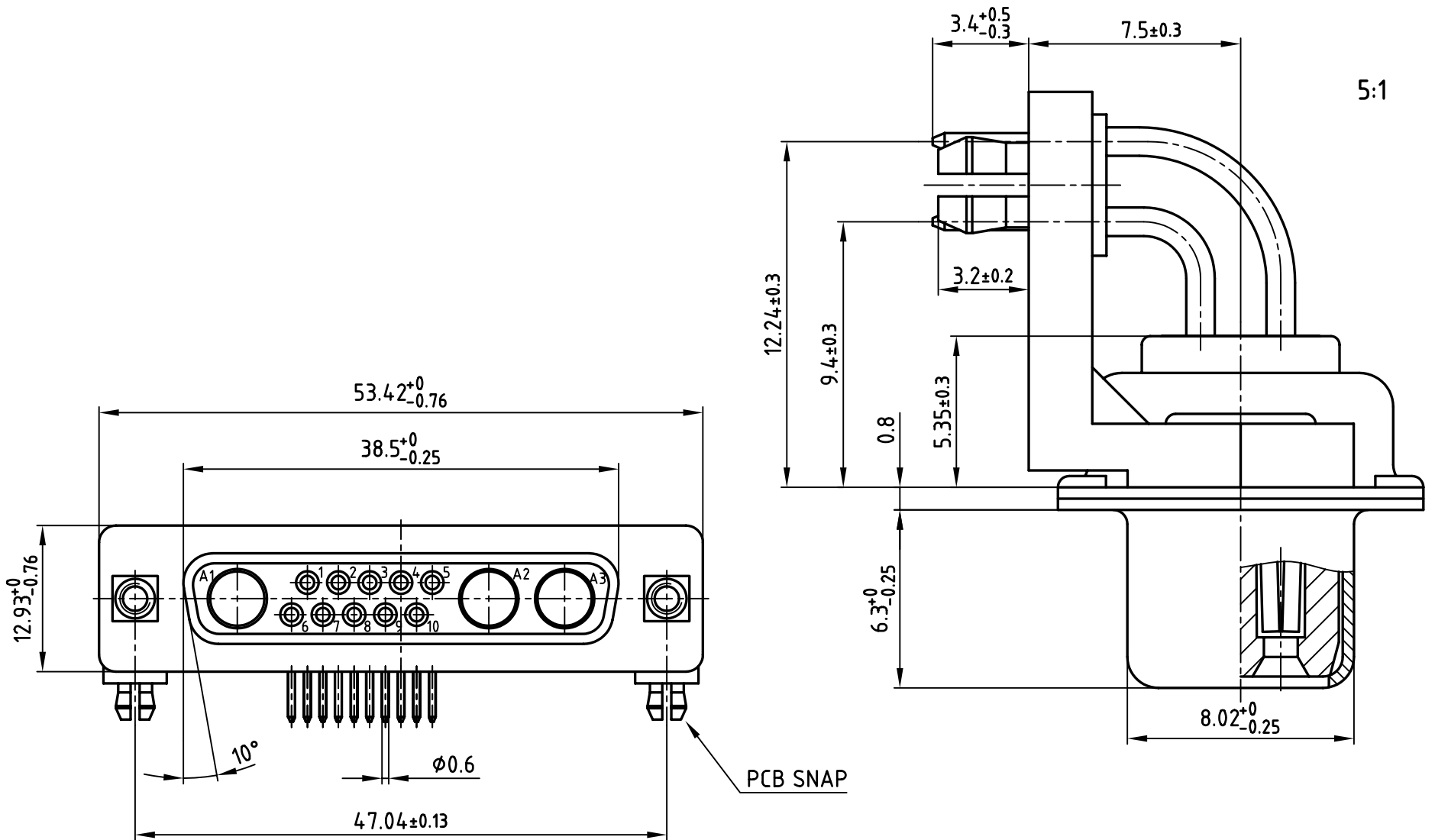


used for: D-SUB COMBINATION

5:1



NOTES:

1. METALSHELLS: STEEL; min. 315µin TIN over 40-80µin NICKEL
2. INSULATORS: PBT GF UL 94 V-0, GREEN
3. SIGNAL CONTACTS: COPPER ALLOY
PLATING: 8µin HARD GOLD over min. 50µin NICKEL
4. NO CONTACTS ON POS. A1, A2, A3
5. METAL BRACKET: ZINC DIE CAST; 300µin COPPER/40-120µin NICKEL/120-200µin TIN
6. THREADED INSERT: COPPER ALLOY; min. 200µin TIN over 80µin NICKEL
7. PCB-SNAP: COPPER ALLOY; min. 200µin TIN over 80µin NICKEL
PCB-HOLE: $\phi 3.1 \pm 0.1$; PCB THICKNESS 1.6mm
8. P.C.B. HOLE DRILLINGS ON SHEET 2
9. MAXIMUM TORQUE VALUE FOR THREAD: 6 in.LB
10. CONNECTOR IS PART MARKED: 3013W3SAU99G40X CONEC ABC

Directive 2002/95/EC
„RoHS“
Compliant

APPROVAL # FREIGABE # DEBLOCAGE # AUTORIZACION # APPROVAL	
CUSTOMER APPROVAL DATE:	
NAME:	TITLE:
COMPANY NAME:	
APPROVAL # FREIGABE # DEBLOCAGE # AUTORIZACION # APPROVAL	

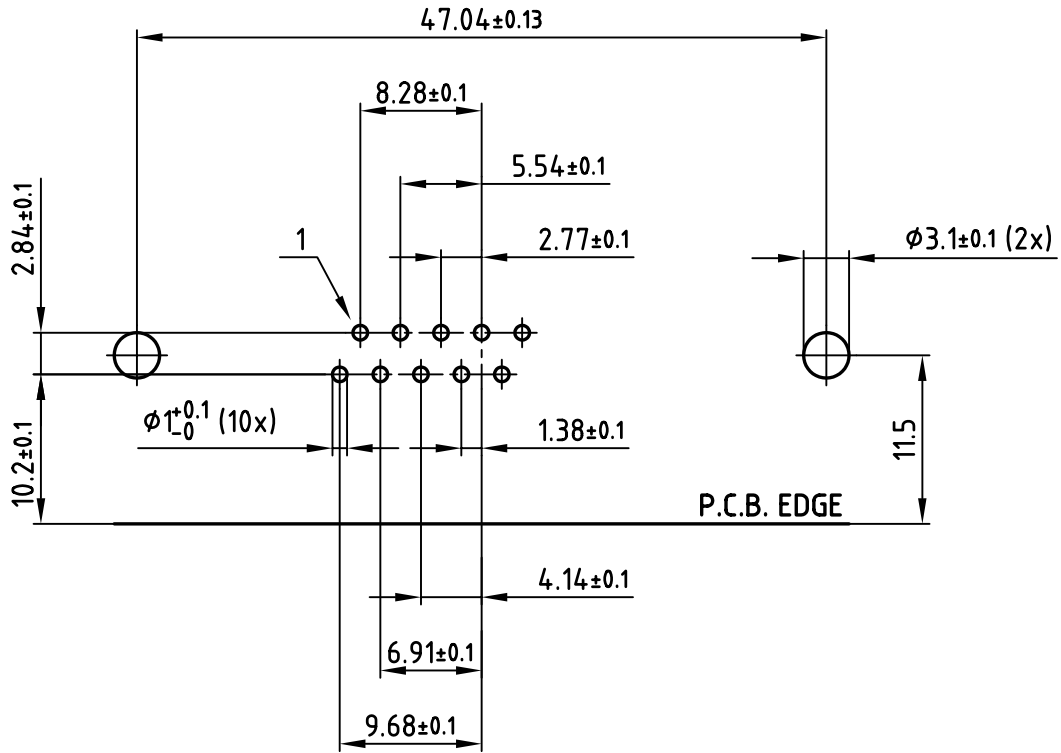
THIS DRAWING MAY NOT BE COPIED OR REPRODUCED IN ANY WAY, AND MAY NOT BE PASSED ON TO A THIRD PARTY WITHOUT WRITTEN PERMISSION.
OWNERSHIP AND COPYRIGHT OF CONEC GmbH
DO NOT ALTER CAD DRAWING BY HAND

tolerance		
dim. in mm		
2005	date	name
drawn	29.08.	Schmidt
appd.	29.08.	Kühle
norm		
d-old		
1 x b	Ä 3176	05.11.2008 Lehmen
a	Origin	
rev.	description	date name

CONEC[®]

scale:	2:1 (5:1)	
material:	SEE NOTES	
title:	D-SUB COMBINATION FEMALE 90° 13W3S with threaded insert, metal bracket and snap	
dwg no:	AutoCAD 2004	DIN-A
	13K1A1461	3
		sh:1/2
part no:	3013W3SAU99G40X (b)	

used for: D-SUB COMBINATION



APPROVAL # FREIGABE # DEBLOCAGE # AUTORIZACION # APPROVAL	
CUSTOMER APPROVAL DATE:	
NAME:	TITLE:
COMPANY NAME:	
APPROVAL # FREIGABE # DEBLOCAGE # AUTORIZACION # APPROVAL	

THIS DRAWING MAY NOT BE COPIED OR REPRODUCED IN ANY WAY, AND MAY NOT BE PASSED ON TO A THIRD PARTY WITHOUT WRITTEN PERMISSION.
OWNERSHIP AND COPYRIGHT OF CONEC GmbH
DO NOT ALTER CAD DRAWING BY HAND

tolerance				scale: 2:1
			dim. in mm	material: SEE SHEET 1
2005	date	name	P.C.B. HOLE DRILLINGS D-SUB COMBINATION FEMALE 90° 13W3S with threaded insert, metal bracket and snap	
drawn	29.08.	Schmidt		
appd.	29.08.	Kühle		
norm				
d-old				
rev.	description	date	name	dwg no: AutoCAD 2004 13K1A1461 part no: SEE SHEET 1



DIN-A
4
sh:2/2