

Technical specification/

Technische Daten:

Dielectric withstanding voltage/ Spannungsfestigkeit:	1000 V, 50 Hz 1 min.
Current rating/ Strombelastbarkeit:	Signal contact/ Signalkontakt: 7,5 A (UL) 5 A (CSA,VDE)
Insulation resistance/ Isolationswiderstand:	≥ 5 GΩ
Temperature range/ Temperaturbereich:	- 55 °C ... + 125 °C
Mating cycles/ Steckzyklen:	Quality class 3 = 50 Gütestufe 3

Materials/

Werkstoffe:

Signal contact/ Signalkontakt:	Cu alloy, Au over Ni
Insulator/ Isolierkörper:	PBT GF UL 94 V-0, green/grün
Shell/ Gehäuse:	Steel, Sn over Ni
Threaded front lock/ Gewinde-Abstandsbolzen:	Cu alloy, Sn over Ni
Metal bracket/ Metallwinkel:	GD-Zn, Sn over Ni

Installation specification/

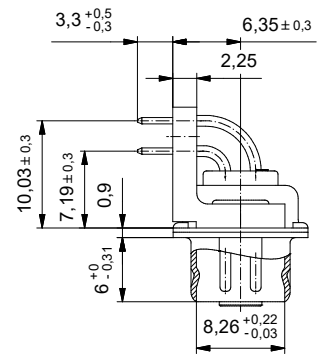
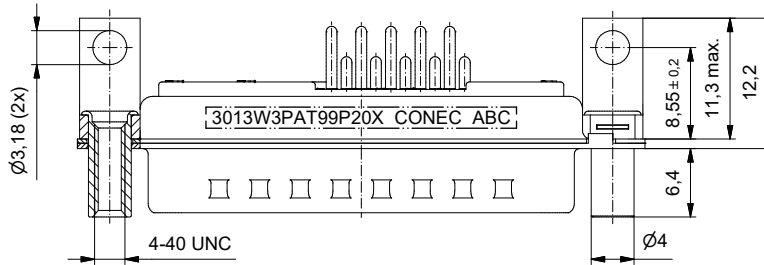
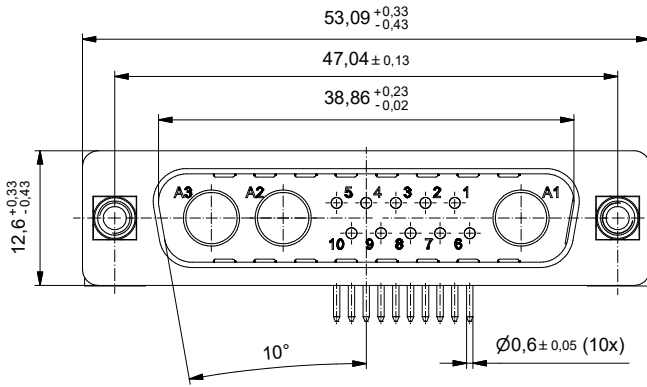
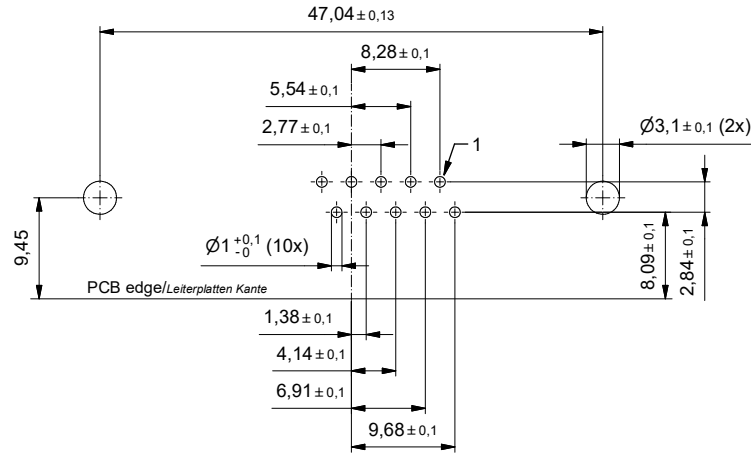
Montagedaten:

Recommended torque value for thread/ Empfohlenes Drehmoment für Gewinde:	max. 6 in.LB/ <i>max. 67 Ncm</i>
PCB hole drillings/ Leiterplattenbohrbild:	see sheet 2/ <i>siehe Seite 2</i>

Part no. / Part marked/ Art.-Nr. / Bedruckung:	3013W3PAT99P20X	Contact plating/ Kontakt Veredelung:	Signal contact/ Signalkontakt:	gold flash over nickel Gold über Nickel			
			No contact on pos. A1 - A3/ Kein Kontakt an Pos. A1 - A3				
				dim. in mm			
				Date/Datum			
				Name			
				drawn/ gez.			
				29.04.2021			
				Lehmenkühler			
				appd./ gepr.			
				29.04.2021			
				Henneboel			
Index:	a Original	scale/maßstab:	2:1		dwg no / Z.-nr.:	13K1A6249	DIN- A3
RoHS compliant/ konform							1 / 2

This reproduction, distribution and utilization of this document as well as the communication of its contents to others without express authorization is prohibited. Offenders will be held liable for the payment of damages. We reserve every right. It is in particular not allowed to copy, paste, forward, redistribute or otherwise publicly disseminate this document for purposes other than those for which it was created and/or provided.

PCB hole drillings
(PCB top side)
Leiterplattenbohrbild
(Leiterplatten Oberseite)



		dim. in mm		D-SUB Combination Male 90° 13W3P with threaded front lock and metal bracket D-SUB Combination Stiftleiste 90° 13W3P mit Gewinde-Abstandsbolzen und Metallwinkel					
		Date/Datum	Name			CONEC® dwg no / Z.-nr.: 13K1A6249			
		drawn/gez.	29.04.2021					Lehmenkühler	DIN-A3
		appd./gepr.	29.04.2021					Henneboel	
Index:	a Original	scale/ Maßstab:	2:1	2 / 2					
RoHS compliant/ konform									

This reproduction, distribution and utilization of this document as well as the communication of its contents to others without express authorization is prohibited. Offenders will be held liable for the payment of damages. For further information on our legal notices, please refer to our website: www.conec.com.