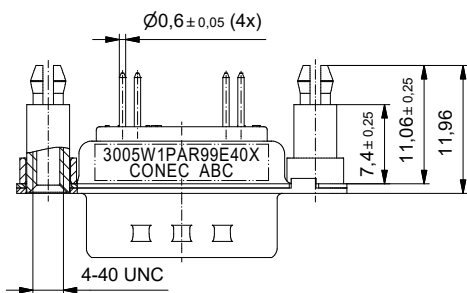
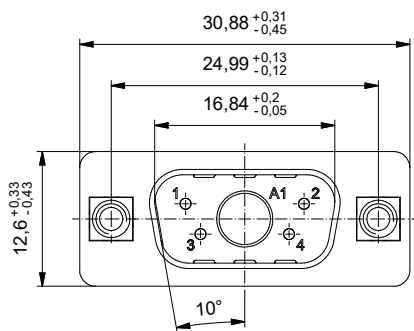
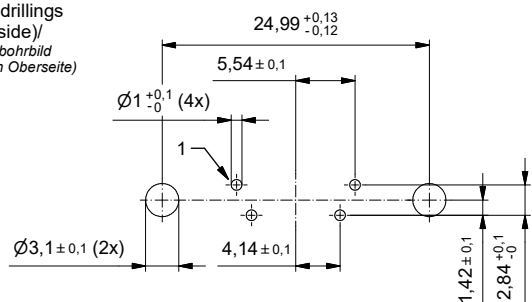


PCB hole drillings
(PCB top side)
Leiterplattenbohrbild
(Leiterplatten Oberseite)



Technical specification/

Technische Daten:

Dielectric withstanding voltage/ Spannungsfestigkeit:	1000 V, 50 Hz 1 min.
Current rating/ Strombelastbarkeit:	Signal contact/ 7,5 A (UL) Signalkontakt: 5 A (CSA, VDE)
Insulation resistance/ Isolationswiderstand:	≥ 5 GΩ
Temperature range/ Temperaturbereich:	- 55 °C ... + 125 °C
Mating cycles/ Steckzyklen:	Quality class 3 = 50 Gütestufe 3

Materials/

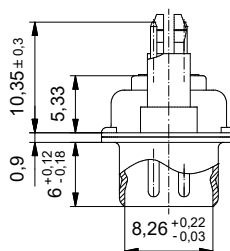
Werkstoffe:

Contact/ Kontakt:	Cu alloy, Au over Ni
Insulator/ Isolierkörper:	PBT GF UL 94 V-0, green/grün
Shell/ Gehäuse:	Steel, Sn over Ni
Threaded rear spacer clip/ Gewinde-Abstandsbolzen Clip:	Cu alloy, Sn over Ni
Collar/ Scheibe:	Cu alloy, Sn over Ni

Installation specification/

Montagedaten:

Recommended torque value for thread/ Empfohlenes Drehmoment für Gewinde:	max. 6 in.LB/max. 67 Ncm
PCB clip for hole diameter/ PCB Clip für Lochdurchmesser:	Ø3,1 mm
Circuit board thickness/ Leiterplattenstärke:	2,3 mm



Part no. / Part marked/ Art.-Nr. / Bedruckung:	3005W1PAR99E40X	Contact plating/ Kontakt Veredelung:	Signal contact Signalkontakt:	gold flash over nickel Gold über Nickel
			No contact on pos. A1/ Kein Kontakt an Pos. A1	
Index: Original	Scale/ Maßstab: 2:1	dim. in mm	D-SUB Combination Male 5W1P with threaded rear spacer clip D-SUB Combination Stiftleiste 5W1P mit Gewinde-Abstandsbolzen Clip	
Status: InBearbeitung		drawn/ gez. 05.08.2019	Name: Lehmenkühler	
RoHS compliant/konform		appd./ gepr. 05.08.2019	Name: Henneboel	
			dwg no / Z.-nr.:	13K1A5894
				DIN-A3
				1 / 1

This reproduction, classification and utilization of this document as well as the communication of its contents to others without express authorization is prohibited. Offenders will be held liable for the payment of damages. We reserve every right. In particular, we reserve the right to make technical changes to this document without notice. In particular, we reserve the right to make technical changes to this document without notice. In particular, we reserve the right to make technical changes to this document without notice.