

Technical specification:

Technische Daten:

Temperature range/ $- 55\text{ }^{\circ}\text{C} \dots + 125\text{ }^{\circ}\text{C}$
 Temperaturbereich:

Materials/

Werkstoffe:

Insulator/
 Isolierkörper: PBT GF UL 94 V-0, green/grün

Shell/
 Gehäuse: Steel, Sn over Ni

Threaded rear
 spacer clip/
 Abstandsbolzen Clip: Cu alloy, Sn over Ni

Collar/
 Scheibe: Cu alloy, Sn over Ni

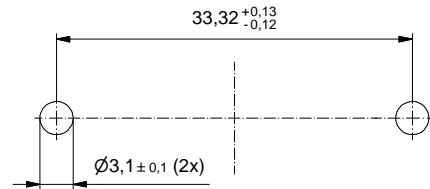
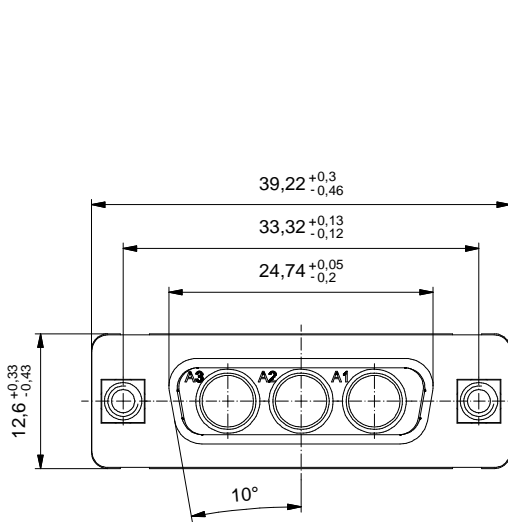
Installation specification/

Montagedaten:

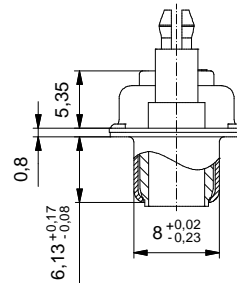
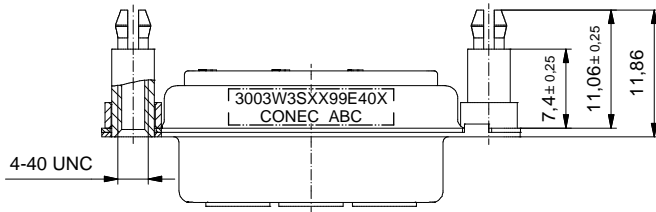
Recommended torque
 value for thread/
 empfohlenes Drehmoment
 für Gewinde: max. 6 in.LB/
 max. 67 Ncm

PCB clip for hole
 diameter/
 PCB Clip für
 Lochdurchmesser: $\varnothing 3,1\text{ mm}$

PCB thickness/
 Leiterplatten Dicke: 2,3 mm



PCB hole drillings
 (PCB top side)/
 Leiterplattenbohrbild
 (Leiterplatten Oberseite)



| | |
|--|--|
| Part no. / Part marked Art.-Nr. / Bedruckung: | Contact plating/ Kontakt Veredelung: |
| 3003W3SXX99E40X | No high power contact on Pos. A1 - A3/ kein Hochstromkontakt auf Pos. A1 - A3 |

| | | | | | |
|-----------------|-----------------------|--|--|-------------------------------|------------|
| Index: Original | Scale/Maßstab: 2:1 | | D-SUB Combination Female 3W3S with threaded rear spacer clip D-SUB Combination Buchsenleiste 3W3S mit Abstandsbolzen Clip | dwg no / Z.-nr.: 13K1A5347 | DIN- A3 |
| | | | | | |

The reproduction, distribution and utilization of this document as well as the communication of its contents to others without express authorization is prohibited. Offenders will be held liable for the payment of damages. We reserve the right to withdraw advertising and notices, to change specifications and to discontinue production without notice.