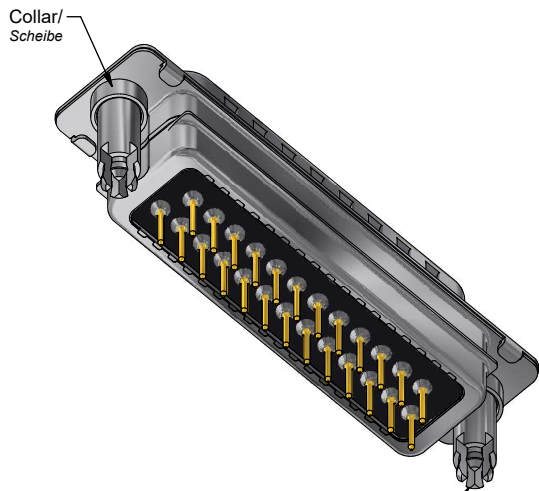
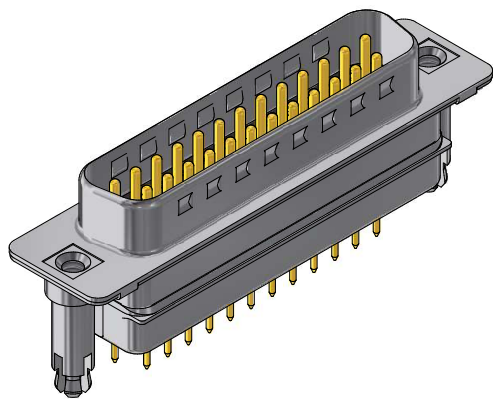


Part no. / Part marked/ Art.-Nr. / Bedruckung:	Quality class/ Gütestufe:	Contact plating/ Kontakt Veredelung:	Capacitance value/ Kapazitätswert:
24-010293	3	Gold flash over nickel <i>Gold über Nickel</i>	2x 370 pF ± 20 %
24-010292	2	20 µin hard gold over min. 50 µin nickel <i>20 µin Gold über min. 50 µin Nickel</i>	
24-010291	1	30 µin hard gold over min. 50 µin nickel <i>30 µin Gold über min. 50 µin Nickel</i>	
24-010303	3	Gold flash over nickel <i>Gold über Nickel</i>	2x 830 pF ± 20 %
24-010302	2	20 µin hard gold over min. 50 µin nickel <i>20 µin Gold über min. 50 µin Nickel</i>	
24-010301	1	30 µin hard gold over min. 50 µin nickel <i>30 µin Gold über min. 50 µin Nickel</i>	
24-010313	3	Gold flash over nickel <i>Gold über Nickel</i>	2x 1300 pF ± 20 %
24-010312	2	20 µin hard gold over min. 50 µin nickel <i>20 µin Gold über min. 50 µin Nickel</i>	
24-010311	1	30 µin hard gold over min. 50 µin nickel <i>30 µin Gold über min. 50 µin Nickel</i>	



Threaded rear spacer clip/  
Gewinde-Abstandsbolzen-Clip



### Technical specification/ *Technische Daten:*

Working voltage/ <i>Betriebsspannung:</i>	100 VDC
Current rating/ <i>Strombelastbarkeit:</i>	5 A
Insulation resistance/ <i>Isolationswiderstand:</i>	≥ 1 GΩ
Dielectric withstanding voltage/ <i>Spannungsfestigkeit (DWV):</i>	300 VDC
Temperature working range/ <i>Umgebungstemperatur:</i>	- 25 °C ... + 105 °C
Capacitance value/ <i>Kapazitätswert:</i>	see table/ <i>siehe Tabelle</i>
Mating cycles (see table)/ <i>Steckzyklen</i> (siehe Tabelle):	Quality class 1 = 500 <i>Gütestufe 1</i> Quality class 2 = 200 <i>Gütestufe 2</i> Quality class 3 = 50 <i>Gütestufe 3</i>

### Materials/ *Werkstoffe:*

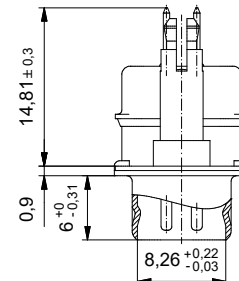
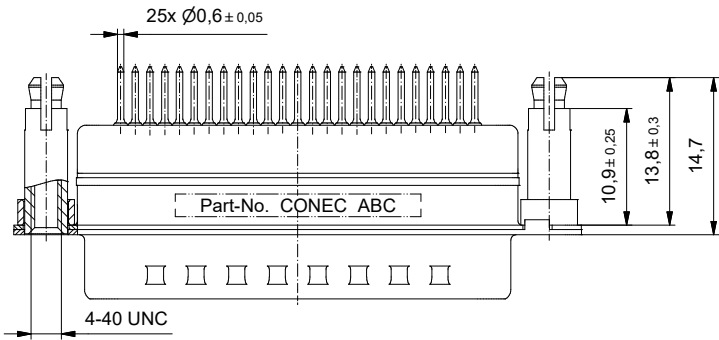
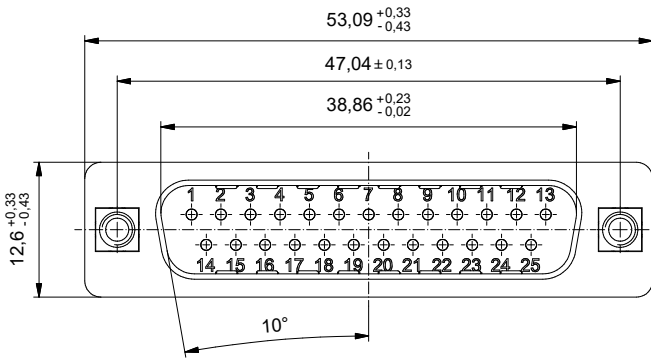
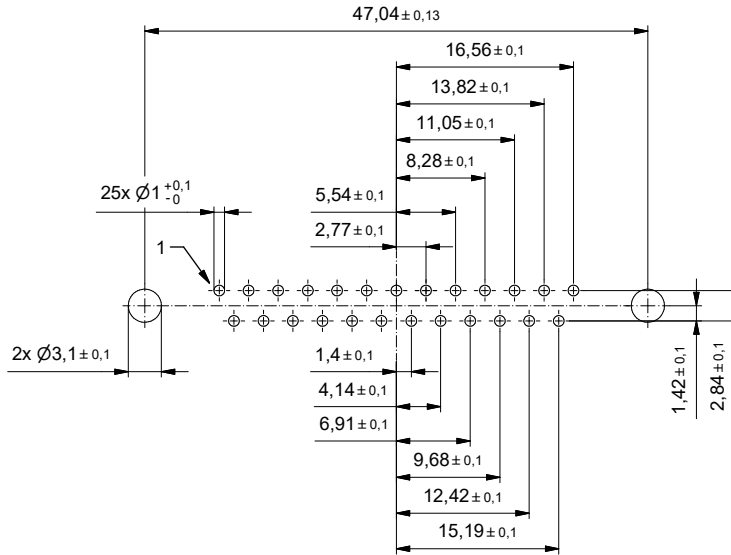
Contact/ <i>Kontakt:</i>	Cu alloy, Au over Ni Contact tails pretinned/ <i>Kontaktspitzen verzinkt</i>
Insulator/ <i>Isolierkörper:</i>	High temp. PA UL 94 V-0
Shell/ <i>Gehäuse:</i>	Steel, Sn over Ni
Threaded rear spacer clip/ <i>Gewinde-Abstandsbolzen-Clip:</i>	Cu alloy, Sn over Ni
Collar/ <i>Scheibe:</i>	Cu alloy, Sn over Ni

### Installation specification/ *Montagedaten:*

Solder parameter/ <i>Lötparameter:</i>	
Solder preheat temperature/ <i>Vorheiztemperatur:</i>	100 °C for 30 sec./ <i>100 °C für 30 Sek.</i>
Solder bath temperature/ <i>Lötbadtemperatur:</i>	260 °C for 5 sec./ <i>260 °C für 5 Sek.</i>
PCB hole drillings/ <i>Leiterplattenbohrbild:</i>	see sheet 2/ <i>siehe Seite 2</i>
Recommended torque value for thread/ <i>Empfohlenes Drehmoment für Gewinde:</i>	max. 6 in.LB/ <i>max. 67 Ncm</i>
PCB clip for hole diameter/ <i>PCB Clip für Lochdurchmesser:</i>	Ø3,1 mm
Circuit board thickness/ <i>Leiterplattenstärke:</i>	1,6 mm

		dim. in mm		D-SUB PI-Filter Male 25pos. with threaded rear spacer clip <i>D-SUB PI-Filter Stiftleiste 25pol. mit Gewinde-Abstandsbolzen-Clip</i>	
		Date/Datum	Name		
		drawn/ ges.	25.07.2024 Bub		
				appd./ gepr.	24.07.2024 Lehmenkühler
Index: a Original	Scale/ Maßstab: 2:1	<b>CONEC</b> ®		dwg no / Z.-nr.:	24K1A2550
ROHS compliant, exemption 6c/ <i>ROHS konform, Ausnahme 6c</i>					DIN- A3 1 / 2

PCB hole drillings  
(PCB top side)  
Leiterplattenbohrbild  
(Leiterplatten Oberseite)



The reproduction, distribution and sale of this document as well as the communication of its content to others without express authorization is prohibited. Offenders will be held liable for the payment of damages. For further information on copyright law, please refer to the website: www.patent.de. For further information on trademark law, please refer to the website: www.dpa.de. For further information on patent law, please refer to the website: www.patent.de. For further information on trademark law, please refer to the website: www.dpa.de. For further information on patent law, please refer to the website: www.patent.de. For further information on trademark law, please refer to the website: www.dpa.de.

Index: a Original	Scale/Maßstab: 2:1		dim. in mm	D-SUB PI-Filter Male 25pos. with threaded rear spacer clip D-SUB PI-Filter Stiftleiste 25pol. mit Gewinde-Abstandsbolzen-Clip	dwg no / Z.-nr.: 24K1A2550	DIN- A3
			Date/Datum: 25.07.2024 Name: Bub drawn/ges.: 25.07.2024 appd./gepr.: 24.07.2024 Name: Lehmenkühler			
ROHS compliant, exemption 6c/ ROHS konform, Ausnahme 6c		2 / 2				