

Part no. / Part marked/ Art.-Nr. / Bedruckung:	Quality class/ Gütestufe:	Contact plating/ Kontakt Veredelung:	Capacitance value/ Kapazitätswert:
24-001683	3	Gold flash over nickel <i>Gold über Nickel</i>	370 pF ± 20 %
24-001682	2	20 µm hard gold over min. 50 µm nickel <i>20 µm Gold über min. 50 µm Nickel</i>	
24-001681	1	30 µm hard gold over min. 50 µm nickel <i>30 µm Gold über min. 50 µm Nickel</i>	
24-001693	3	Gold flash over nickel <i>Gold über Nickel</i>	830 pF ± 20 %
24-001692	2	20 µm hard gold over min. 50 µm nickel <i>20 µm Gold über min. 50 µm Nickel</i>	
24-001691	1	30 µm hard gold over min. 50 µm nickel <i>30 µm Gold über min. 50 µm Nickel</i>	
24-001633	3	Gold flash over nickel <i>Gold über Nickel</i>	1300 pF ± 20 %
24-001632	2	20 µm hard gold over min. 50 µm nickel <i>20 µm Gold über min. 50 µm Nickel</i>	
24-001631	1	30 µm hard gold over min. 50 µm nickel <i>30 µm Gold über min. 50 µm Nickel</i>	

**Technical specification/
Technische Daten:**

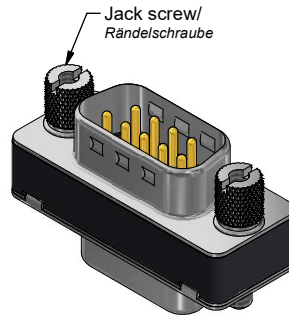
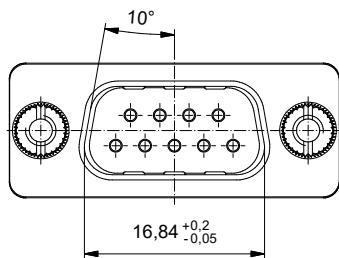
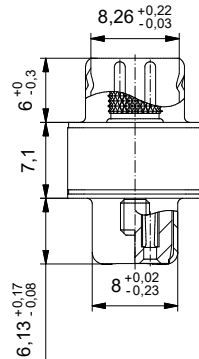
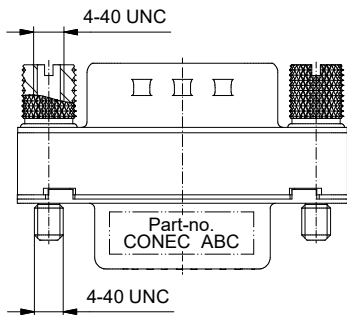
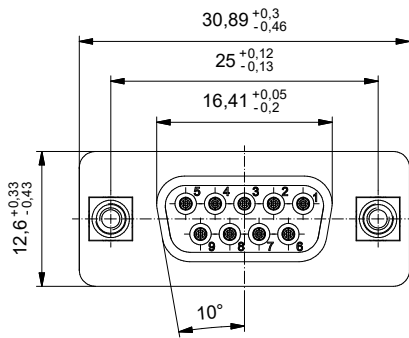
Working voltage/ <i>Betriebsspannung:</i>	100 VDC
Current rating/ <i>Strombelastbarkeit:</i>	5 A
Insulation resistance/ <i>Isolationswiderstand:</i>	≥ 1 GΩ
Dielectric withstanding voltage/ <i>Spannungsfestigkeit (DWV):</i>	424 VDC
Temperature working range/ <i>Umgebungstemperatur:</i>	- 25 °C ... + 105 °C
Capacitance value/ <i>Kapazitätswert:</i>	see table/ <i>siehe Tabelle</i>
Mating cycles (see table)/ <i>Steckzyklen</i> (siehe Tabelle):	Quality class 3 = 50 Gütestufe 3 Quality class 2 = 200 Gütestufe 2 Quality class 1 = 500 Gütestufe 1

**Materials/
Werkstoffe:**

Contact/ <i>Kontakt:</i>	Cu alloy, Au over Ni
Insulator/ <i>Isolierkörper:</i>	High temp. PA UL94 V-0
Shell/ <i>Gehäuse:</i>	Steel, Sn over Ni
Threaded insert/ <i>Gewindeinsatz:</i>	Cu alloy, Sn over Ni
Jack screw/ <i>Rändelschraube:</i>	Cu alloy, Ni

**Installation specification/
Montagedaten:**

Recommended torque value for thread/ <i>Empfohlenes Drehmoment für Gewinde:</i>	max. 6 in.LB/ max. 67 Ncm
---	------------------------------



		dim. in mm		D-SUB C-Filter Adapter 9pos. with jack screw 4-40 UNC D-SUB C-Filter Adapter 9pos. mit Rändelschraube 4-40 UNC	
		Date/Datum	Name		
		drawn/ges. 07.10.2021	Henneboel		
		appd./gepr. 07.10.2021	Lehmenkühler		
Index: a Original	Scale/Maßstab: 2:1	CONEC ®		dwg no / Z.-nr.:	24K1A2069
RoHS compliant/ <i>konform</i>					DIN-A3 1 / 1

The reproduction, distribution and sale of this document as well as the communication of its contents to others without express authorization is prohibited. Offenders will be held liable for the payment of damages. For further information on our legal notices please refer to our website: www.conec.com.