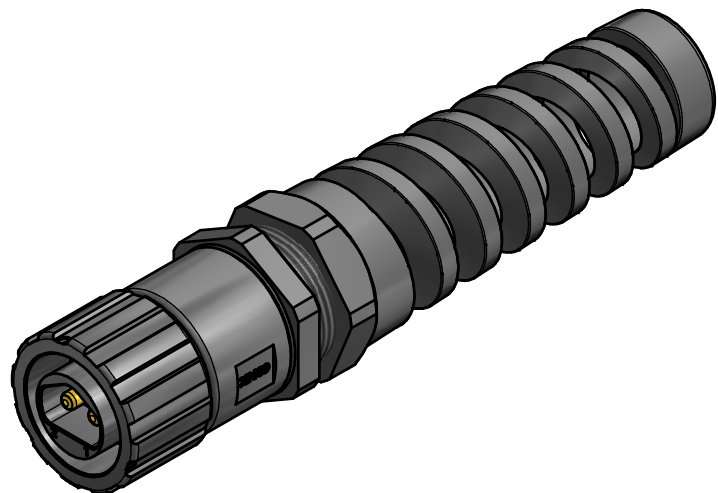
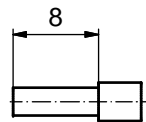
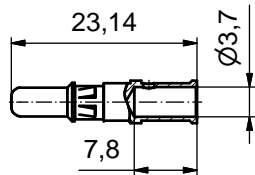


2 CONTACTS WILL BE SUPPLIED LOOSE

STRIPPING DIMENSIONS



NOTES:

1. CONNECTOR KIT IS RECOMMENDED FOR USE WITH FOLLOWING CABLE TYPES:
 - 2 CONDUCTOR AWG 10, TYPE SOOW / SJOOW
 - 2 CONDUCTOR AWG 12, TYPE SOOW
2. MATERIAL AND FINISH:
 - COUPLER RING: PA GF (BLACK); UL94 V-0; UL (f1) RATED
 - PLUG HOUSING: PA GF (BLACK); UL94 V-0; UL (f1) RATED
 - CABLE GLAND: PA (BLACK), UL94 V-0; UL (f1) RATED
 - CABLE GLAND RUBBER RING: NBR; COLOR: BLACK
 - CABLE FITTING: PA (BLACK); UL94 V-0; UL (f1) RATED
 - INTERFACIAL SEAL: SILICONE; COLOR: WHITE
 - RETAINING RING: STAINLESS STEEL
3. HIGH POWER CONTACTS; CRIMP; 30A
 - CAN BE CRIMPED TO STRANDED COPPER WIRES: AWG 10 - 12
 - MATERIAL: COPPER ALLOY
 - PLATING, MATING AREA: GOLD FLASH over NICKEL
 - PLATING, TERMINATION SIDE: 160-240µm TIN over 80µm NICKEL
 - CONTACTS WILL BE SUPPLIED LOOSE
 - CRIMPING: USE CRIMP TOOL 360X10409X WITH TOOL INSERT 360X20029X
 - SELECTOR SETTINGS: 7 FOR AWG 10; 6 FOR AWG 12
4. OPERATING TEMPERATURE: -40°C to +100°C
5. WORKING VOLTAGE: 48V AC/DC
6. IP67 RATED WHEN COVERED OR FULLY MATED WITH THE APPROPRIATE MATING CONNECTOR
7. ASSEMBLY INSTRUCTION: AI-5038-POWER

RoHS compliant

THIS DRAWING MAY NOT BE COPIED OR REPRODUCED IN ANY WAY, AND MAY NOT BE PASSED ON TO A THIRD PARTY WITHOUT WRITTEN PERMISSION. OWNERSHIP AND COPYRIGHT OF CONEC GmbH				date		name		scale: 1,5:1	
				drawn 02.10.2013		Schmidt		material: see notes	
DO NOT ALTER CAD DRAWING BY HAND				appd. 02.10.2013		Koch		title:	
				norm				IP67 POWER BAYONET 2pos. PLUG KIT / CRIMP cable mount Ø13-18mm	
a Original				d-old				dwg no:	
				rev. description		date		name	
CONEC®								DIN-A3	
								part no: 17-400143	