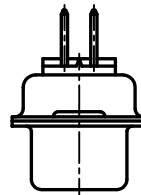
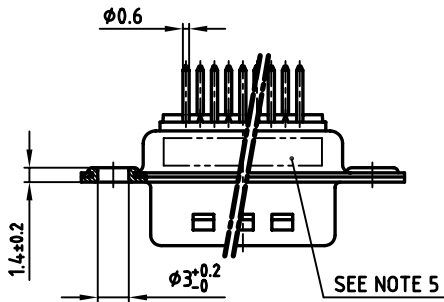
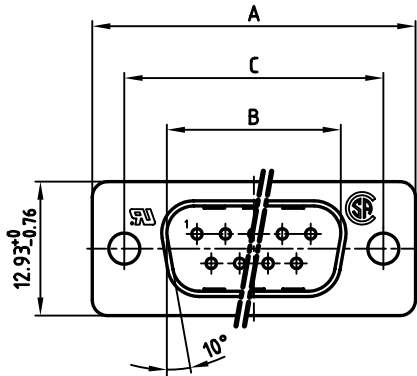
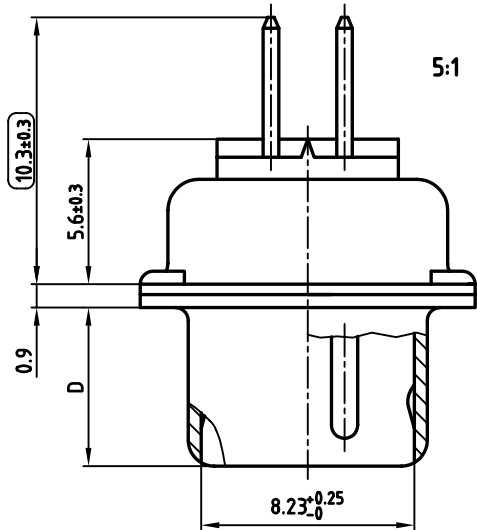


POS.	A -0.76	B $+0.25$	C	D -0.3	PART NO.
9	31.19	16.79	25.00 $+0.12$ -0.13	6.12	
15	39.52	25.12	33.30 $+0.15$ -0.1	6.12	163S00339A
25	53.42	38.84	47.04 ± 0.13	5.99	
37	69.70	55.30	63.50 ± 0.13	5.99	

used for: D-SUB



NOTES:

- METALSHELLS: STEEL; min. 320µ" TIN
- INSULATORS: PBT GF UL 94 V-0, BLACK
- CONTACTS: COPPER ALLOY
PLATING: 8µ" HARD GOLD OVER min. 50µ" NICKEL
CONTACT TAILS PRETINNED
- P.C.B. HOLE DRILLINGS ON SHEET 2
- CONNECTOR IS PART MARKED: PART-NO. CONEC ABC
- = CHECK DIMENSION

Directive 2002/95/EC
"RoHS"
Compliant

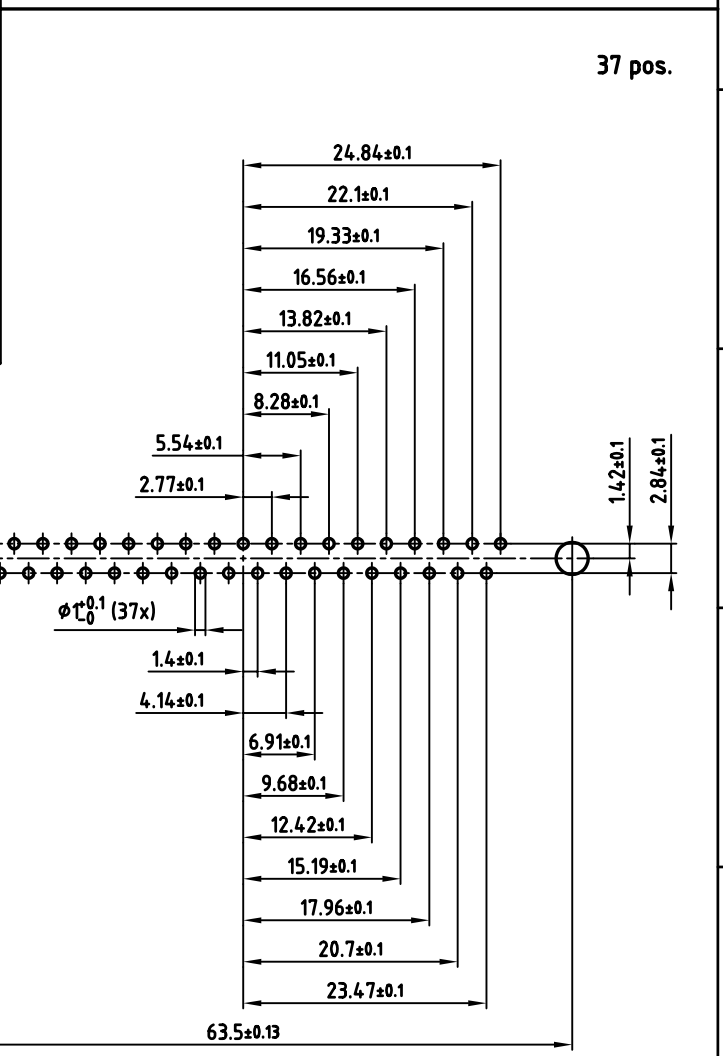
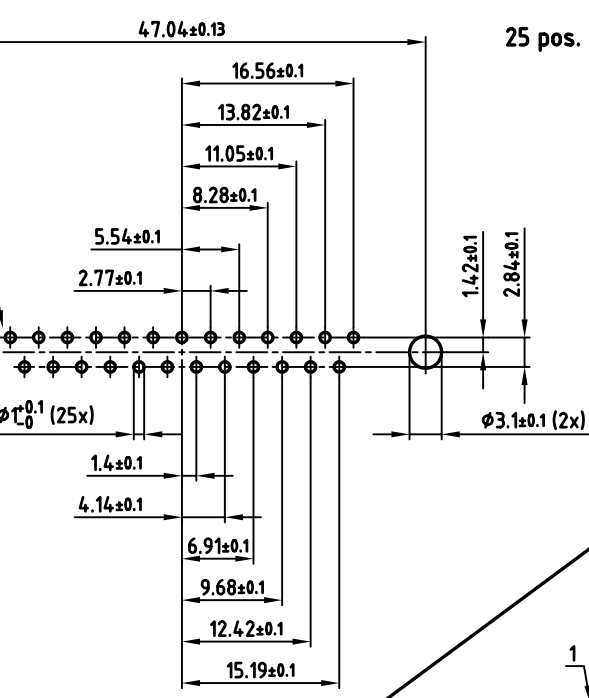
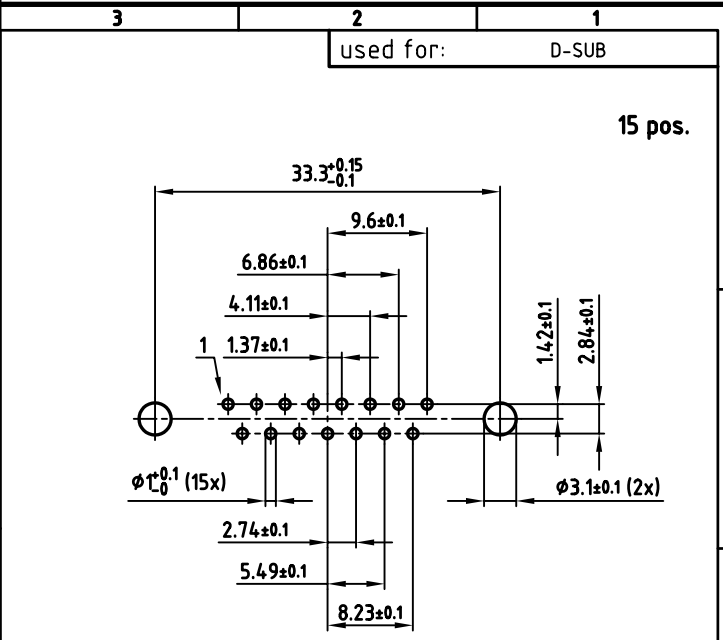
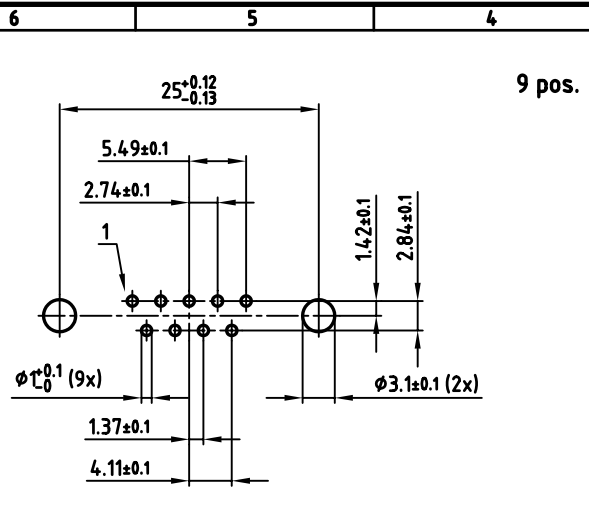
APPROVAL # FREIGABE # DEBLOCAGE # AUTORIZACION # APPROVAL	
CUSTOMER APPROVAL DATE:	
NAME:	TITLE:
COMPANY NAME:	
APPROVAL # FREIGABE # DEBLOCAGE # AUTORIZACION # APPROVAL	

THIS DRAWING MAY NOT BE COPIED OR REPRODUCED IN ANY WAY, AND MAY NOT BE PASSED ON TO A THIRD PARTY, WITHOUT WRITTEN PERMISSION. OWNERSHIP AND COPYRIGHT OF CONEC GmbH. DO NOT ALTER CAD DRAWING BY HAND

rev.	description	date	name

tolerance	dim. in mm
scale:	2:1 (5:1)
material:	SEE NOTES
title:	D-SUB MALE 9-37pos. SOLDER PIN STRAIGHT
dwg no:	AutoCAD 2004
CONEC [®]	16K1A1536
	part no: SEE TABLE

2005	date	name
drawn	31.10.	Lehmenkühler
appd.	31.10.	Mickenbecker
norm	DIN 41652	
d-old		
dwg no:	AutoCAD 2004	DIN-A
		3
		sh:1/2



used for: D-SUB

9 pos.

15 pos.

25 pos.

37 pos.

APPROVAL # FREIGABE # DEBLOCAGE # AUTORIZACION # APPROVAL

CUSTOMER APPROVAL DATE:


NAME: TITLE:

COMPANY NAME:

APPROVAL # FREIGABE # DEBLOCAGE # AUTORIZACION # APPROVAL

THIS DRAWING MAY NOT BE COPIED OR REPRODUCED IN ANY WAY, AND MAY NOT BE PASSED ON TO A THIRD PARTY, WITHOUT WRITTEN PERMISSION. OWNERSHIP AND COPYRIGHT OF CONEC GmbH DO NOT ALTER CAD DRAWING BY HAND

rev.	description	date	name

tolerance  scale: 2:1

material: SEE SHEET 1

dim. in mm

title: P.C.B. HOLE DRILLINGS

D-SUB MALE 9-37pos. SOLDER PIN STRAIGHT

dwg no: AutoCAD 2004 DIN-A

16K1A1536 3

part no: SEE SHEET 1 sh:2/2

