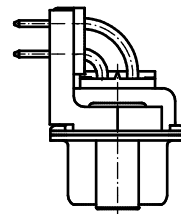
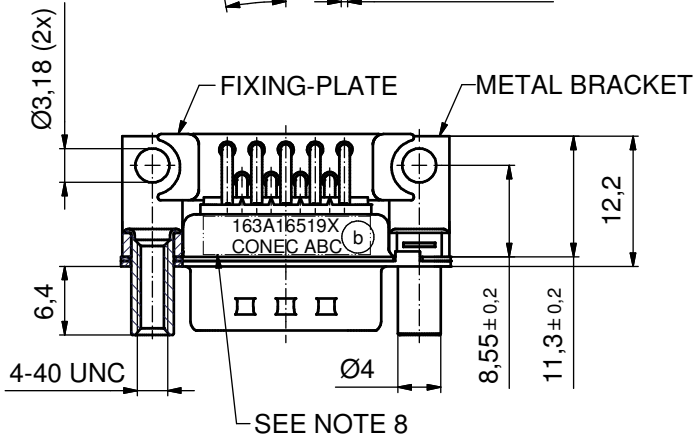
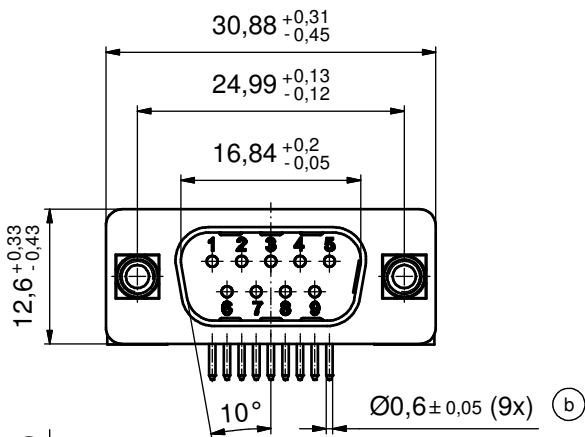
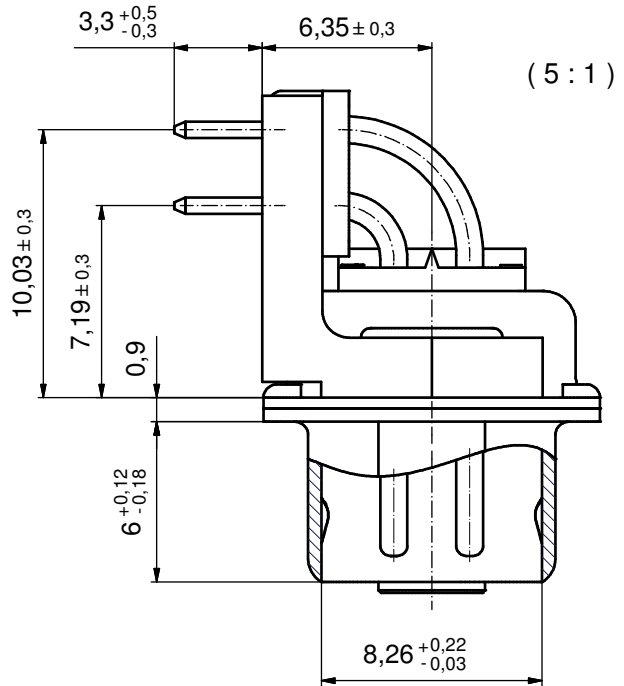
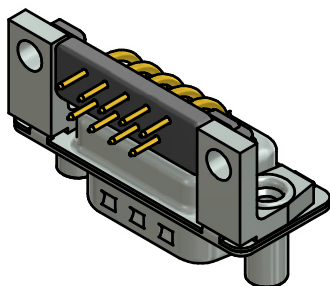


P.C.B. HOLE DRILLINGS
(P.C.B. TOP SIDE)



NOTES: (b)

1. METALSHELLS: STEEL; min. 315µm TIN over 40-80µm NICKEL
2. INSULATORS: PBT GF UL 94 V-0; BLACK
3. CONTACTS: COPPER ALLOY
PLATING: GOLD FLASH over NICKEL
4. METAL BRACKETS: ZINC DIE CAST; 300µm COPPER/40-120µm NICKEL/120-200µm TIN
5. THREADED LOCKS: COPPER ALLOY; min. 200µm TIN over 80µm NICKEL
6. FIXING-PLATE: PBT GF UL 94 V-0; BLACK
7. MAXIMUM TORQUE VALUE FOR THREAD: 6 in.LB
8. CONNECTOR IS PART MARKED: 163A16519X CONEC ABC



Directive 2002/95/EC RoHS compliant

THIS DRAWING MAY NOT BE COPIED OR REPRODUCED IN ANY WAY, AND MAY NOT BE PASSED ON TO A THIRD PARTY WITHOUT WRITTEN PERMISSION. OWNERSHIP AND COPYRIGHT OF CONEC GmbH DO NOT ALTER CAD DRAWING BY HAND	tolerance		dim. in mm		scale: 2:1 (5:1)	
					material: SEE NOTES	
			date	name	title: D-SUB MALE 90° 9pos. SOLDER PIN ANGLED 0.318inch threaded lock and metal bracket	
			drawn 24.03.2004	Mankopf		
			appd. 24.03.2004	Mickenbecker		
		norm	d-old	dwg no:	DIN-A3	
3 x b	A4036	07.07.2011	K.H.	16K1A1129 sh: 1/6		
rev.	description	date	name			
				part no:	163A16519X	