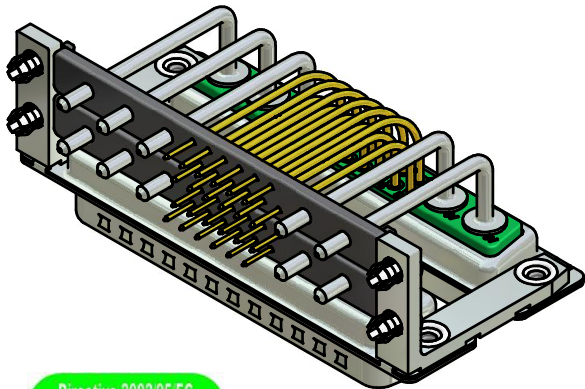


**NOTES:**

- METALSHIELDS: STEEL; min. 315µm TIN over 40-80µm NICKEL
- INSULATORS: PBT GF UL 94 V-0, GREEN
- HIGH POWER CONTACTS 20A: COPPER ALLOY  
PLATING MATING AREA: 8µm HARD GOLD over min. 50µm NICKEL  
PLATING TERMINATION SIDE: 160-240µm TIN over 80µm NICKEL
- SIGNAL CONTACTS: COPPER ALLOY  
PLATING: 8µm HARD GOLD over min. 50µm NICKEL
- METAL BRACKET: ZINC DIE CAST; 300µm COPPER/40-120µm NICKEL/120-200µm TIN
- THREADED INSERT: COPPER ALLOY; min. 200µm TIN over 80µm NICKEL
- FIXING-PLATE: PBT GF UL 94 V-0, BLACK
- PCB-SNAP: COPPER ALLOY; min. 200µm TIN over 80µm NICKEL  
PCB-HOLE:  $\varnothing 3,1 \pm 0,1 \text{ mm}$ ; PCB-THICKNESS: 1,6mm
- P.C.B. HOLE DRILLINGS ON SHEET 2
- MAXIMUM TORQUE VALUE FOR THREAD: 6 in.LB
- CONNECTOR IS PART MARKED: **13-001403 CONEC ABC**



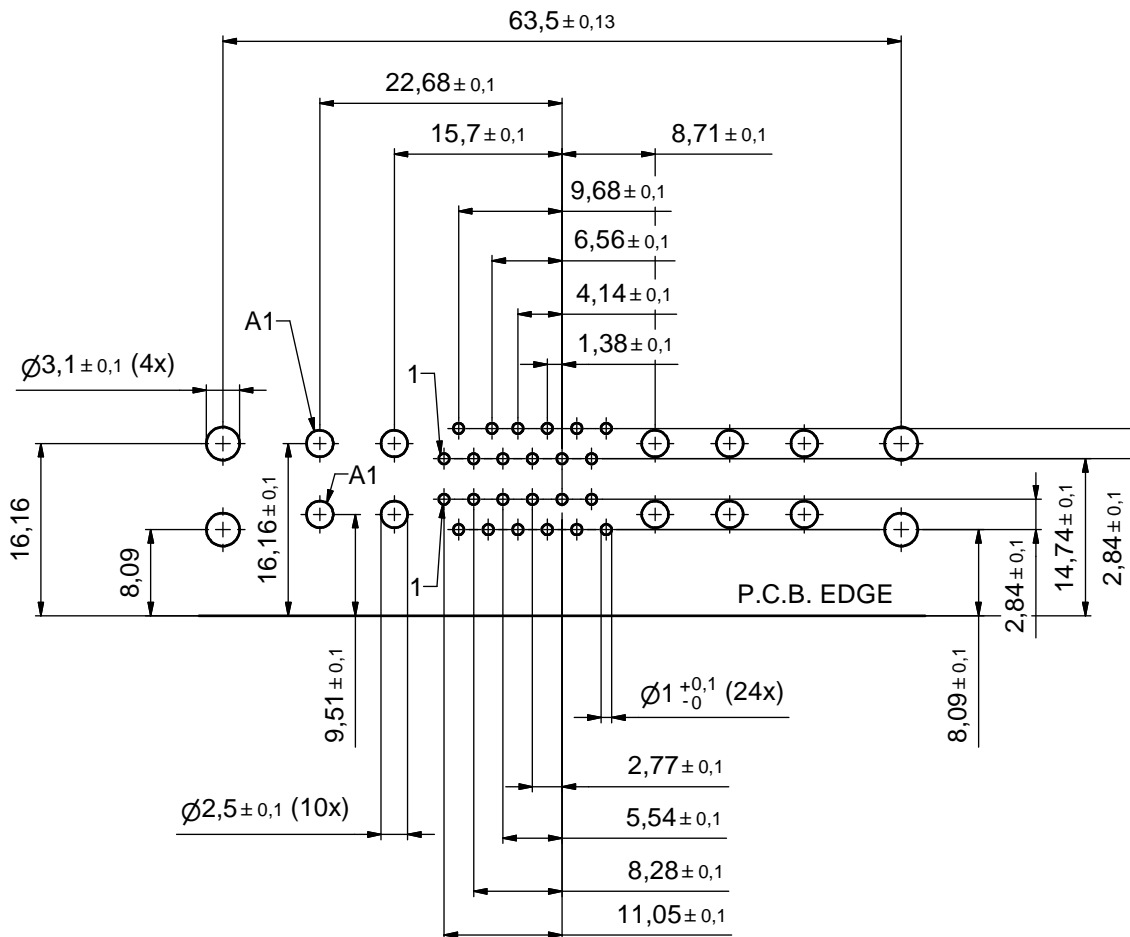
Directive 2002/95/EC  
RoHS  
Compliant

APPROVAL # FREIGABE # DEBLOCAGE # AUTORIZACION # APPROVAL	
CUSTOMER APPROVAL DATE:	
NAME:	TITLE:
COMPANY NAME:	
APPROVAL # FREIGABE # DEBLOCAGE # AUTORIZACION # APPROVAL	

THIS DRAWING MAY NOT BE COPIED OR REPRODUCED IN ANY WAY AND MAY NOT BE PASSED ON TO A THIRD PARTY WITHOUT WRITTEN PERMISSION. OWNERSHIP AND COPYRIGHT OF CONEC GmbH			
DO NOT ALTER CAD DRAWING BY HAND			
rev.	description	date	name

tolerance	ISO 2768-m	dim. in mm	scale:	2:1
material:	see notes			
date	name	title:		
drawn	05.11.2008	Sonnenberg	D-SUB COM. DUAL PORT	
appd.	05.11.2008	Koch	19,05mm /Female 17W5S reverse / Male 17W5P with threaded insert, metal bracket, snap	
norm	dwg no: Inventor 10			
d-old	13K1A2649			
part no:				13-001403
A3				sh: 1





APPROVAL # FREIGABE # DEBLOCAGE # AUTORIZACION # APPROVAL	
CUSTOMER APPROVAL DATE:	
NAME:	TITLE:
COMPANY NAME:	
APPROVAL # FREIGABE # DEBLOCAGE # AUTORIZACION # APPROVAL	

THIS DRAWING MAY NOT BE COPIED OR REPRODUCED IN ANY WAY, AND MAY NOT BE PASSED ON TO A THIRD PARTY WITHOUT WRITTEN PERMISSION. OWNERSHIP AND COPYRIGHT OF CONEC GmbH				tolerance ISO 2768-m		dim. in mm	
DO NOT ALTER CAD DRAWING BY HAND				date	name		
a Origin				drawn	05.11.2008	Sonnenberg	
rev.				appd.	05.11.2008	Koch	
				norm			
				d-old			

scale: 3:1	
material: see sheet 1	
title: P.C.B. HOLE DRILLINGS D-SUB Combination Dual Port 19,05mm Female 17W5S reverse / Male 17W5P	
dwg no: Inventor 10	DIN-A3
13K1A2649	
sh: 2	
part no: see sheet 1	